



NORTH CAROLINA
Distribution Center

STAIR & RAILING PRODUCTS BY

 **HOUSE OF
FORGINGS**



*Serving North and South Carolina and parts of
Virginia and Tennessee with next day deliveries.*

*This warehouse stocks our best-selling unique iron stair offerings along
with the most popular wood stair parts in the industry.*

*Our impeccably crafted styles are originally designed in
partnership with our Italian studio and created with the sense
of pride in workmanship that can only be found in an employee owned company.*

*We fashion stairs and railings from the finest materials available so that what you
provide to your clients is unsurpassed in style,
uncompromising in quality, and unmatched in elegance.*

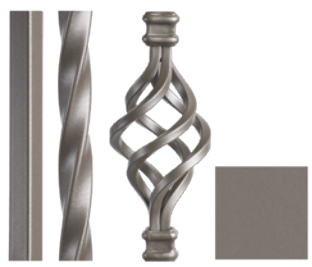
Finishes



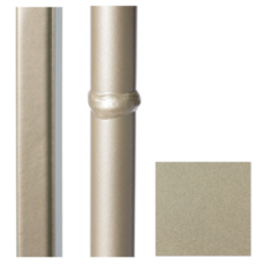
SATIN BLACK (STB)



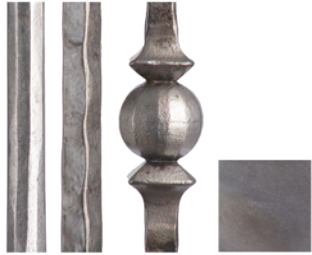
OIL RUBBED BRONZE (ORB)



ASH GREY (AG)



DORADO GOLD (GD)



SATIN CLEAR (SC)
This is a clear finish over RAW/unfinished iron, variations in surface color may occur.



STAINLESS STEEL (SS)



BRASS (Satin Polish)

IRON BALUSTERS

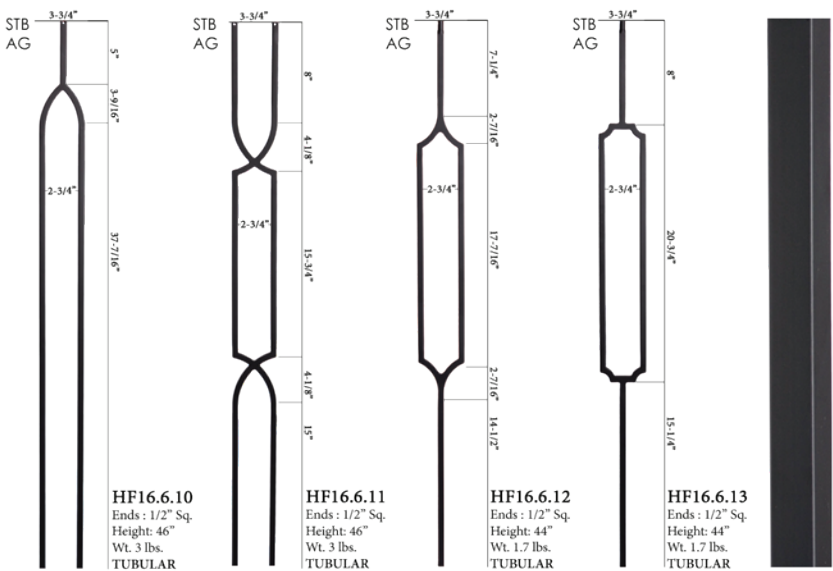
Horizontal Collection

STAINLESS STEEL	HFSS5.1.1	304 Grade Stainless Steel Tubular Bar 5/8" Dia x 8" Satin Polish Finish
ASH GREY	HFAG5.1.1	Powder Coated Tubular Round Bar 5/8" Dia. x 8"
SATIN BLACK	HFSTB5.1.1 (.078" - 2mm)	Powder Coated Tubular Round Bar 5/8" Dia. x 8"
SATIN BLACK	HFSTB7.1.1-IS (.039" - 1mm)	Powder Coated Tubular Round Bar 5/8" Dia. x 8"
OIL RUBBED BRONZE	HFORB5.1.1	Powder Coated Tubular Round Bar 5/8" Dia. x 8"



Newels: RO-4000, Handrail: RO-6084, Balusters: HFSS5.1.1

Harmony Collection



Foundation Collection



configuration options for your style



sleeves

<p>BALUSTER SATIN BLACK - (Powder coated)</p>	<p>BALUSTER NEWEL HFSTB16.4.1 Diameter: 20mm Rd. Length: 8" Wt. .3 lbs. HFSTB16.4.3 Diameter: 35mm Rd. Length: 8" Wt. .75 lbs.</p>
<p>BALUSTER NEWEL HF18.4.1 Diameter: 20mm Rd. Length: 8" Wt. .35 lbs. HF18.4.3 Diameter: 35 mm Rd. Length: 8" Wt. .75 lbs.</p>	<p>BALUSTER NEWEL HF17.4.1 Diameter: 20mm Rd. Length: 8" Wt. .3 lbs. HF17.4.3 Diameter: 35mm Rd. Length: 8" Wt. .75 lbs.</p>

Passivated to minimize tarnishing, use gloves when handling

newel mounting kit
flange covers

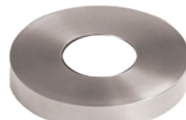
Fits 1-3/16" Round Newels
Diameter: 4.13" Height: .7"



SATIN BLACK
HFSTB16.4.5
Also available in Ash Grey.



BRASS
HF18.4.5



STAINLESS STEEL
HF17.4.5

NEWEL MOUNTING KIT
Fits 1-3/16" Round Newels
HF16.2.9

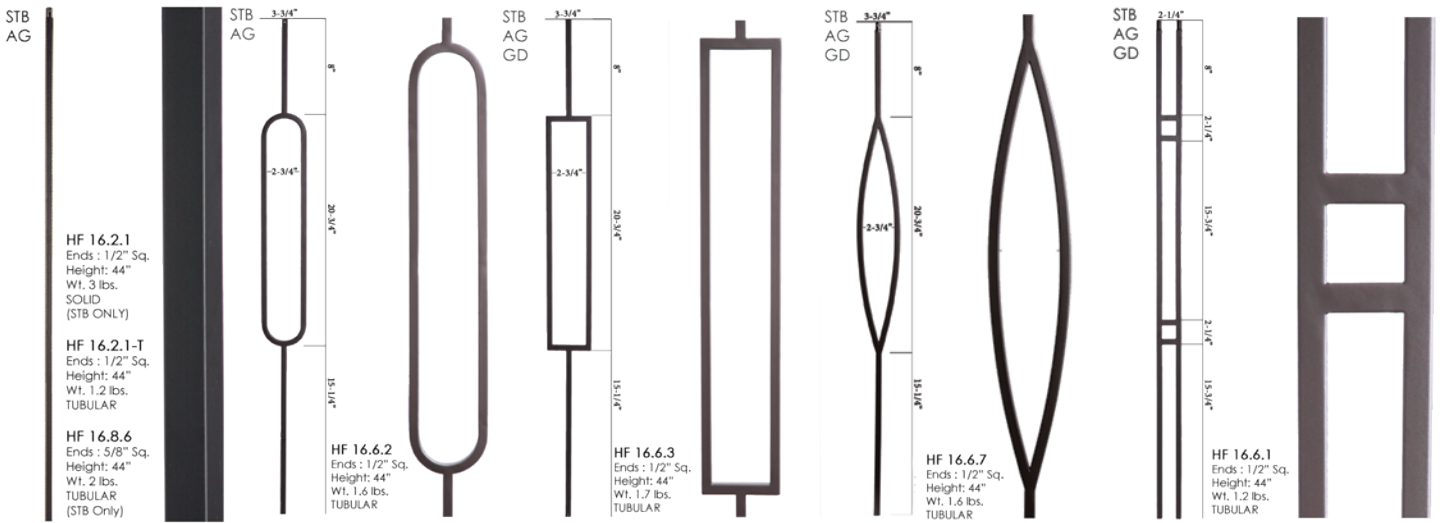


Replacement set screws
Satin Black, Brass, Stainless Steel

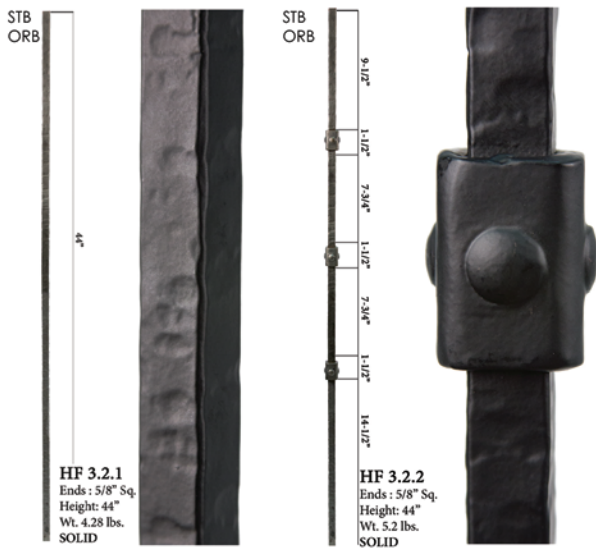
balusters/newels

<p>BALUSTER NEWEL HFSTB16.8.1 Diameter: 5/8" Rd. Tubular Length: 44" Wt. 1.35 lbs. HFSTB16.5.11-T Diameter: 1-3/16" Rd. Tubular Length: 47" Wt. 4.8 lbs.</p>	<p>BALUSTER NEWEL HF18.8.1 Diameter: 5/8" Rd. Tubular Length: 44" Wt. 1.45 lbs. HF18.8.3 Diameter: 1-3/16" Rd. Tubular Length: 47" Wt. 5.7 lbs.</p>	<p>BALUSTER NEWEL HF17.8.1 Diameter: 5/8" Rd. Tubular Length: 44" Wt. 1.2 lbs. HF17.1.2-T Diameter: 1-3/16" Rd. Tubular Length: 47" Wt. 5.7 lbs.</p>
---	--	---

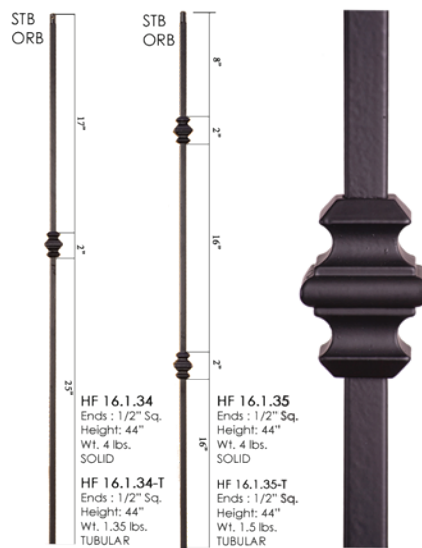
Aalto Collection



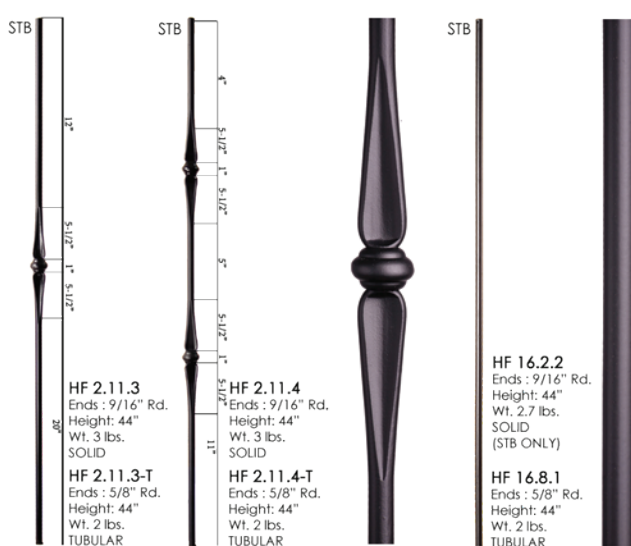
Wentworth Collection



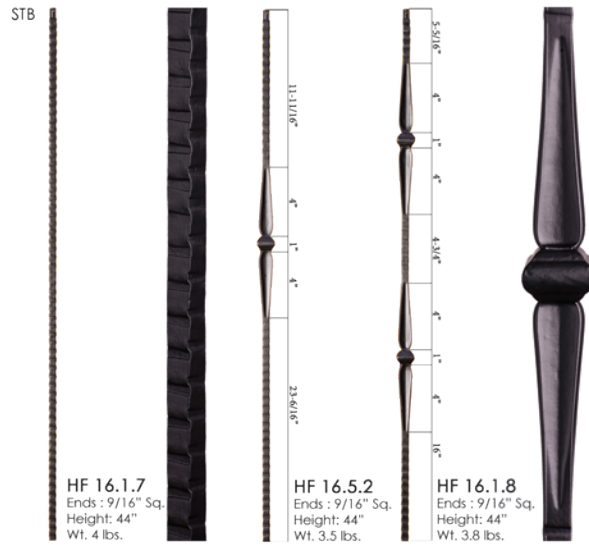
Versatile Series



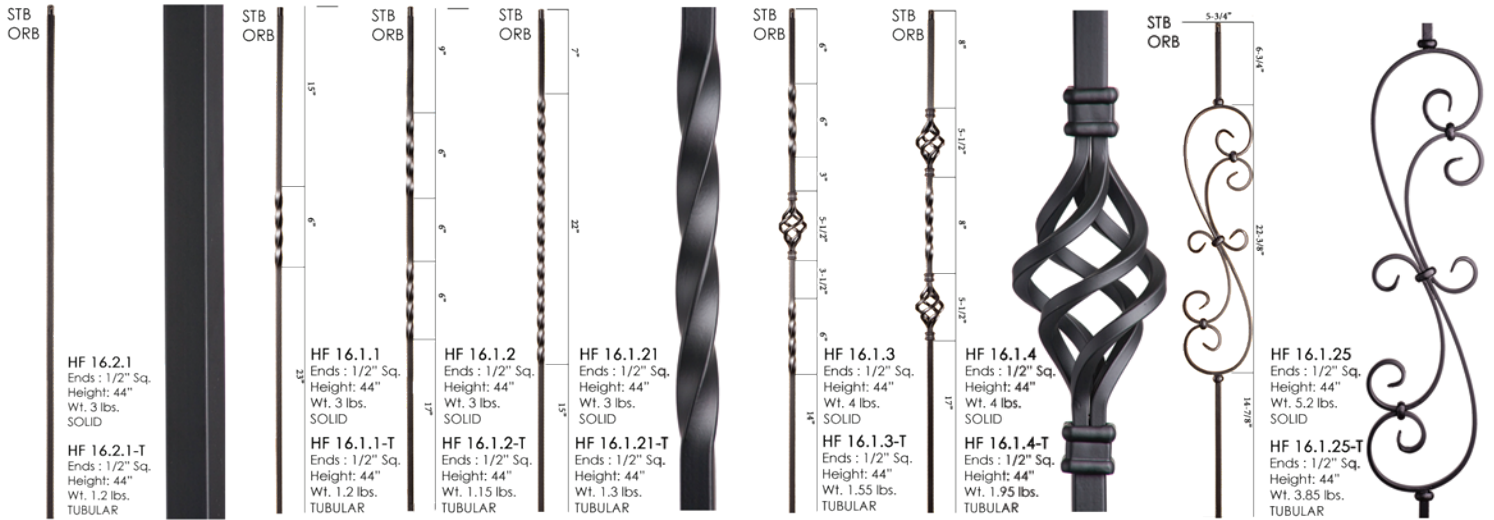
Round Series



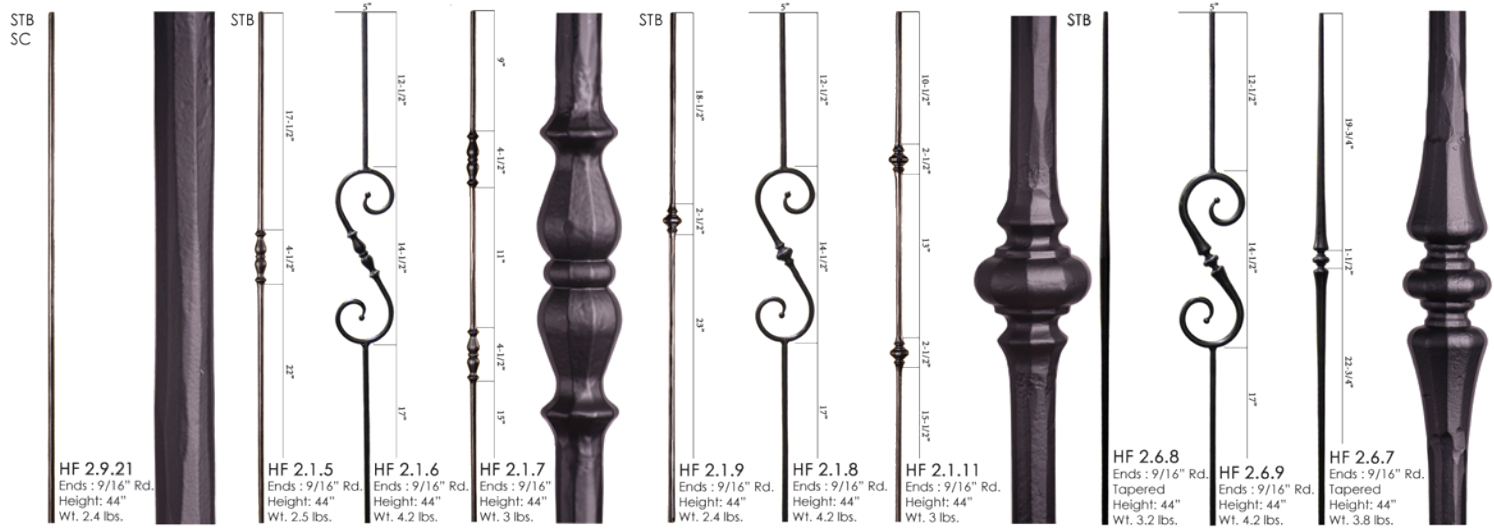
Gothic Series



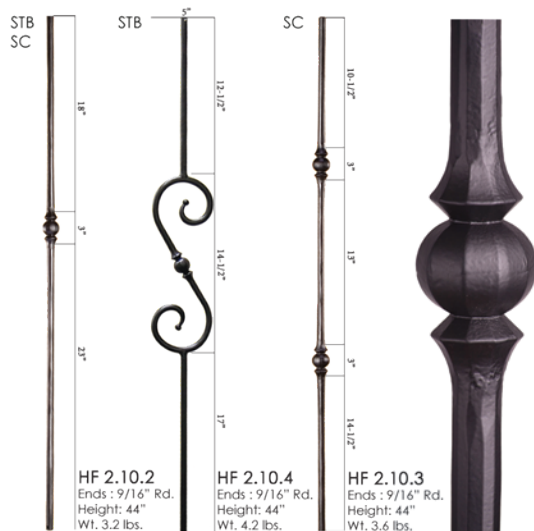
Twist & Basket Series



Round Hand Forged Series



Round Hand Forged Series



Square Hand Forged Series













Mega Series






Pintop
Diameter : 5/8"
Height: 3/4"

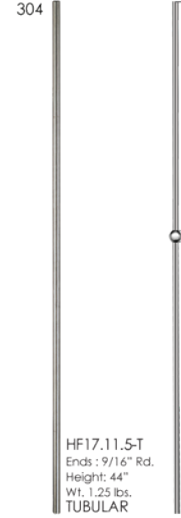
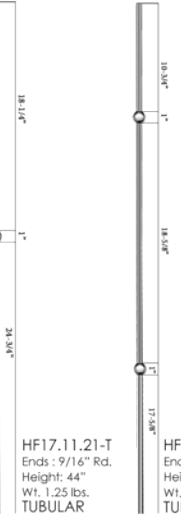

Tubular Bar Specifications
Superior 18 gauge wall thickness
(1/20" / 1.27mm)

 <p>STB</p> <p>HF 34.2.1-T Ends : 3/4" Sq. Height: 44" Wt. 1.5 lbs. TUBULAR</p>	 <p>STB</p> <p>HF 34.1.1-T Ends : 3/4" Sq. Height: 44" Wt. 1.5 lbs. TUBULAR</p>	 <p>STB</p> <p>HF 34.1.2-T Ends : 3/4" Sq. Height: 44" Wt. 1.5 lbs. TUBULAR</p>	 <p>STB</p> <p>HF 34.1.3-T Ends : 3/4" Sq. Height: 44" Wt. 2.45 lbs. TUBULAR</p>	 <p>STB</p> <p>HF 34.1.4-T Ends : 3/4" Sq. Height: 44" Wt. 3.35 lbs. TUBULAR</p>	 <p>STB</p> <p>HF 34.1.25-T Ends : 3/4" Sq. Height: 44" Wt. 5.05 lbs. TUBULAR</p>	 <p>STB</p> <p>HF 34.1.34-T Ends : 3/4" Sq. Height: 44" Wt. 1.75 lbs. TUBULAR</p>	 <p>STB</p> <p>HF 34.1.35-T Ends : 3/4" Sq. Height: 44" Wt. 2 lbs. TUBULAR</p>	 <p>STB</p> <p>HF 34.6.1 Ends : 3/4" Sq. Height: 44" Wt. 3.25 lbs. TUBULAR</p>	 <p>STB</p> <p>HF 34.6.3 Ends : 3/4" Sq. Height: 44" Wt. 2.35 lbs. TUBULAR</p>
---	--	--	---	---	--	--	--	---	---

Monte Carlo

 <p>STB ORB</p> <p>NEWEL</p> <p>HF 18.1.1-T Ends : 1-3/16" Rd. Height: 48" Wt. 18.55 lbs. TUBULAR</p>	 <p>STB ORB</p> <p>HF 18.2.1-T Ends : 5/8" Rd. Height: 44" Wt. 1.75 lbs. TUBULAR</p>	 <p>STB ORB</p> <p>HF 18.2.2-T Ends : 5/8" Rd. Height: 44" Wt. 1.50 lbs. TUBULAR</p>
--	--	--

Stainless Steel

 <p>304</p> <p>HF17.11.5-T Ends : 9/16" Rd. Height: 44" Wt. 1.25 lbs. TUBULAR</p>	 <p>HF17.11.21-T Ends : 9/16" Rd. Height: 44" Wt. 1.25 lbs. TUBULAR</p>	 <p>HF17.11.23-T Ends : 9/16" Rd. Height: 44" Wt. 1.25 lbs. TUBULAR</p>
--	---	---

Iron Newwels

 <p>STB</p> <p>HF 1.1.14 Ends : 1" Sq. Height: 47-1/4" Wt. 18 lbs. SOLID</p>	 <p>STB</p> <p>HF 1.1.22 Ends : 1" Rd. Height: 47-1/4" Wt. 18 lbs.</p>	 <p>STB GD</p> <p>HF 16.5.8 Ends : 1-3/16" Sq. Height: 48" Wt. 19 lbs. SOLID</p>	 <p>STB</p> <p>HF 16.5.8-T Ends : 1-3/16" Sq. Height: 48" Wt. 4.8 lbs. TUBULAR</p>	 <p>STB</p> <p>HF 16.5.11 Ends : 1-3/16" Rd. Height: 48" Wt. 19 lbs. SOLID</p>	 <p>304</p> <p>HF17.1.2-T Ends : 1-3/16" Rd. Height: 47" Wt. 5.7 lbs. TUBULAR</p>
--	---	---	---	---	---

Iron Accessories

Newel Mount Handrail Bracket



HF17.4001
Stainless Steel(304)
HT. 1-3/4"
Base = 1-1/2" sq.
ADJUSTABLE

HFSTB17.4001
Satin Black
HT. 1-3/4"
Base = 1-1/2" sq.
ADJUSTABLE

Wall Mount Handrail Bracket



HF17.4002
Stainless Steel(304)
HT. 2-1/2"
Base = 1-1/2" x 2"
Extends 3-1/4" off wall
ADJUSTABLE

HFSTB17.4002
Satin Black
HT. 2-1/2"
Base = 1-1/2" x 2"
Extends 3-1/4" off wall
ADJUSTABLE

Wall Mount Handrail Bracket

STB
AG
ORB



HE3003
Handrail bracket, 2-1/16" round mounting plate, extends out 3" from wall, aluminum

Iron Shoes



HF16.3.19
Level base shoe with set screw, fits 1/2" square balusters, 1-5/16" square base, aluminum



HF16.3.25
Level base shoe with set screw, fits 9/16" Tuscan square balusters, 1-1/4" square base, cast iron



HF16.3.26
Level base shoe with set screw, fits 9/16" round balusters, 1-1/4" square base, cast iron



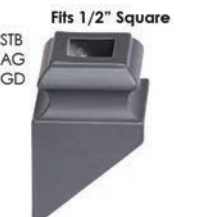
HF16.3.38
Level base shoe with set screw, fits 5/8" square balusters, 1-1/4" square base, cast iron



HF16.3.50
Level base shoe with set screw, fits 5/8" round balusters, 1-5/16" square base, aluminum



HF34.3.19
Level base shoe with set screw, fits 3/4" square balusters, 1-7/8" square base, aluminum



HF16.3.2
Angled base shoe with set screw, fits 1/2" square balusters, 1-5/16" base, aluminum



HF16.3.28
Angled base shoe with set screw, fits 9/16" Tuscan square balusters, 1-1/4" base, cast iron



HF16.3.27
Angled base shoe with set screw, fits 9/16" round balusters, 1-1/4" base, cast iron



HF16.3.39
Angled base shoe with set screw, fits 5/8" square balusters, 1-1/4" base, cast iron



HF16.3.51
Angled base shoe with set screw, fits 5/8" round balusters, 1-5/16" base, aluminum



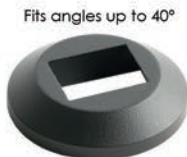
HF34.3.2
Angled base shoe with set screw, fits 3/4" square balusters, 1-7/8" base, aluminum



HF16.3.9
Level Base Collar - CAST IRON
Base : 1-9/16" Rd. - Height: 3/8"

HF16.3.60
Level Base Collar - ALUMINUM
Base : 1-9/16" Rd. - Height: 3/8"

HF16.3.61
Angled Base Collar - ALUMINUM
Base : 1-9/16" Rd. - Height: 3/8"



HF16.3.10
Level Base Collar - CAST IRON
Base : 1.57" Rd. - Height: .32"



HF16.3.12
Level Base Collar - CAST IRON
Base : 1.57" Rd. - Height: .32"



HF34.3.16
Level Base Collar - CAST IRON
Base : 2" Rd. - Height: 3/8"

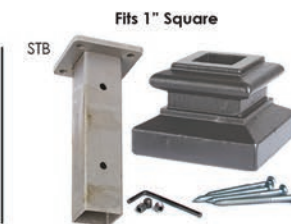
Iron Newel Mounting Kits



HF16.2.3
Newel mounting kit with level base shoe, fits 1-3/16" square newels, 3-1/8" square base, cast iron



HF16.3.14
Newel mounting kit with level base shoe, fits 1-3/16" round newels, 3-1/8" square base, cast iron



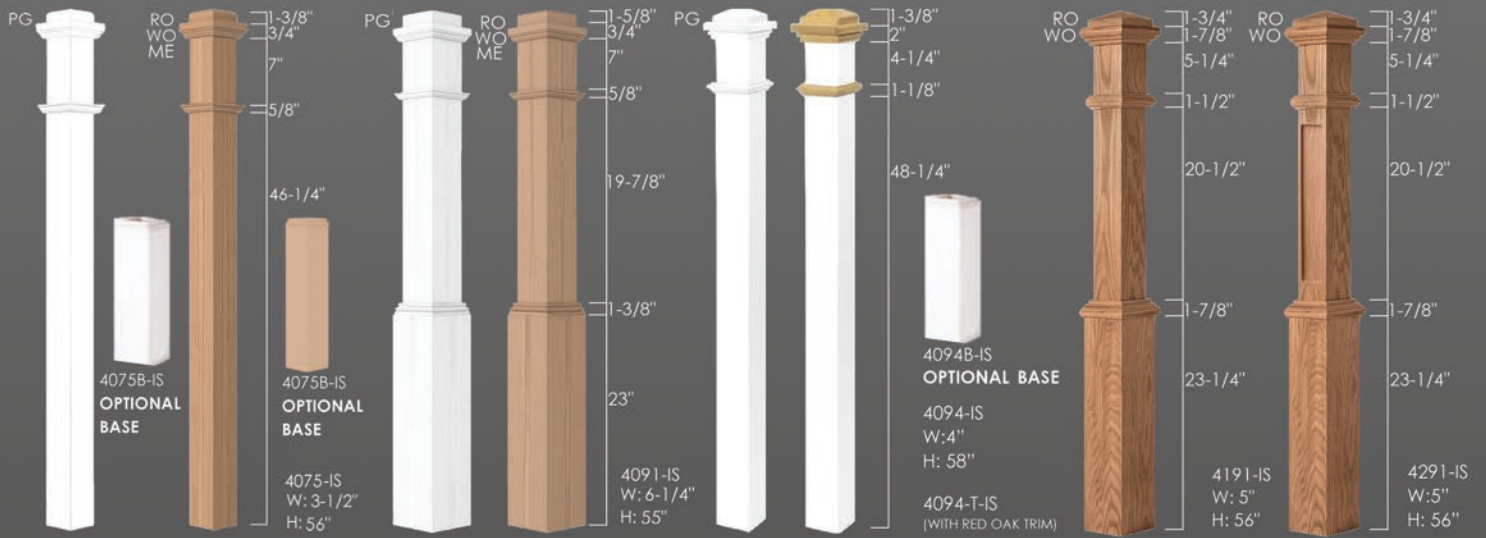
HF16.3.31
Newel mounting kit with level base shoe, fits 1" square newels, 3-1/8" square base, cast iron



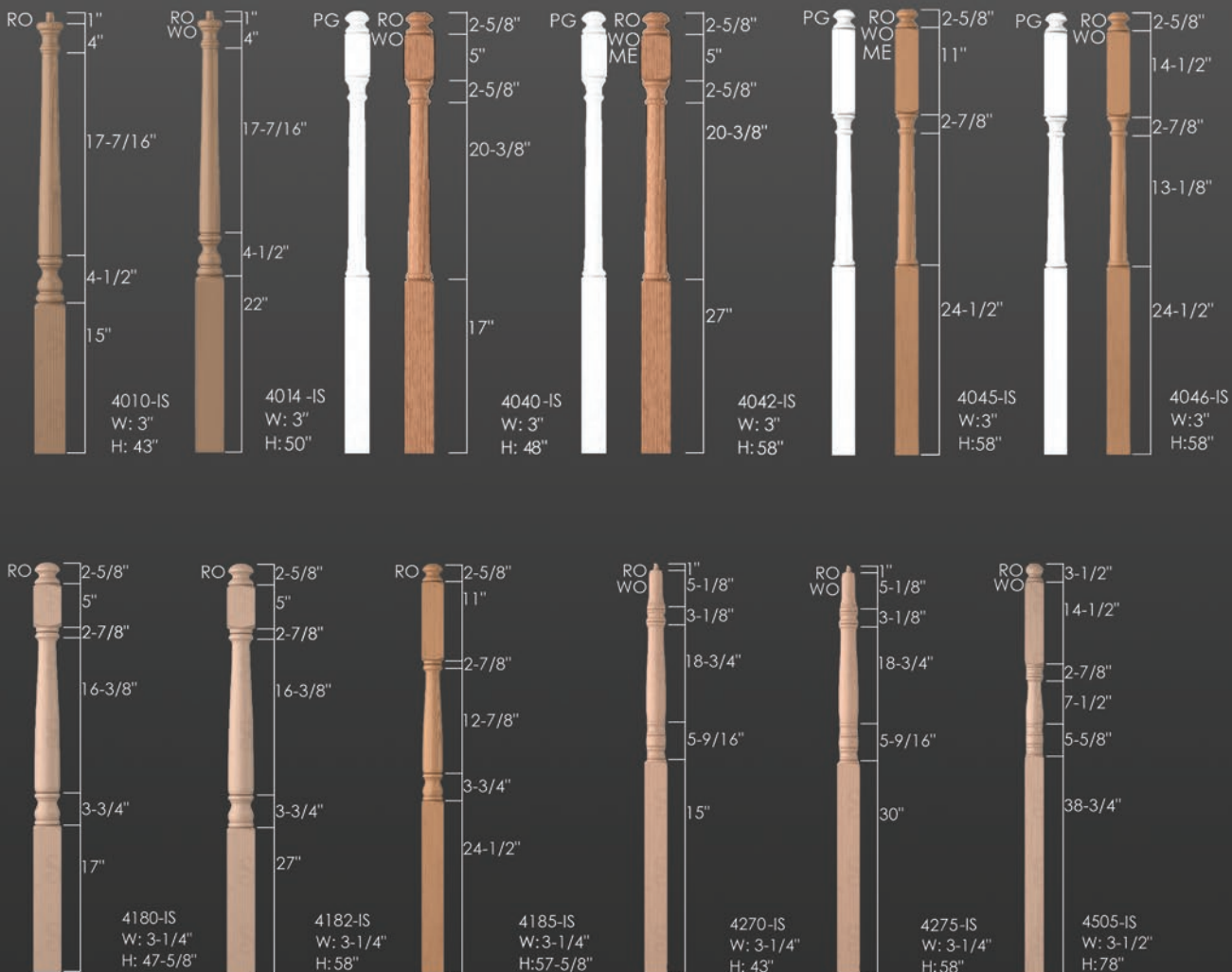
HF16.3.33
Newel mounting kit with level base shoe, fits 1" round newels, 3-1/8" square base, cast iron

WOOD NEWELS

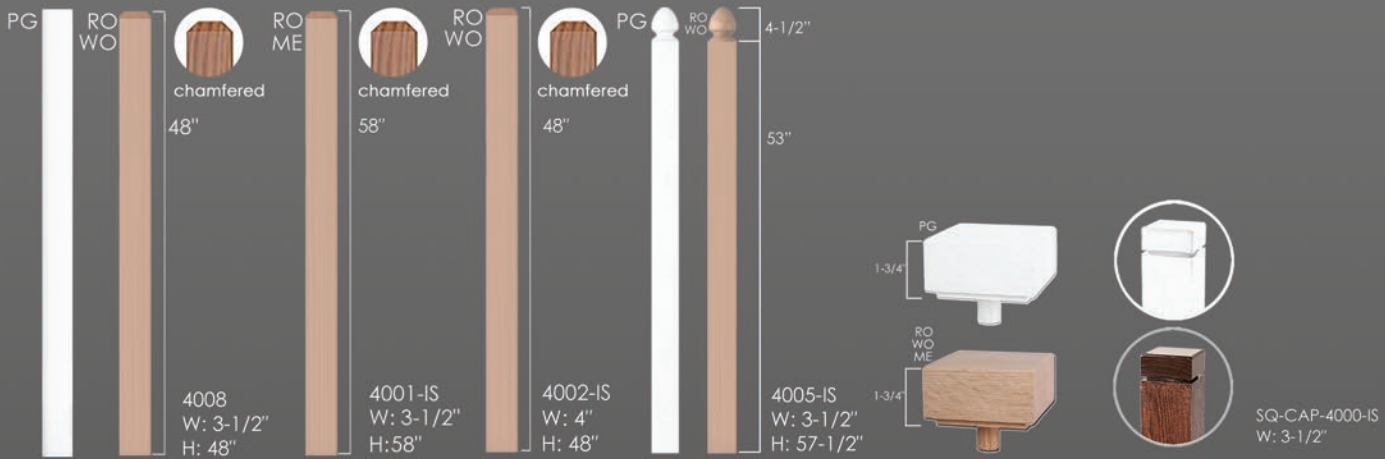
Box Newels



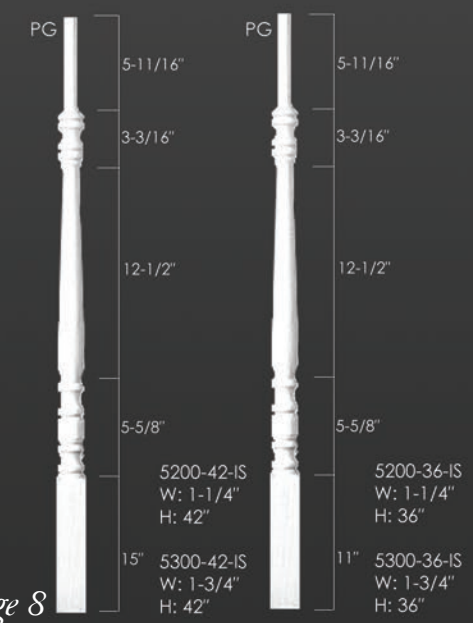
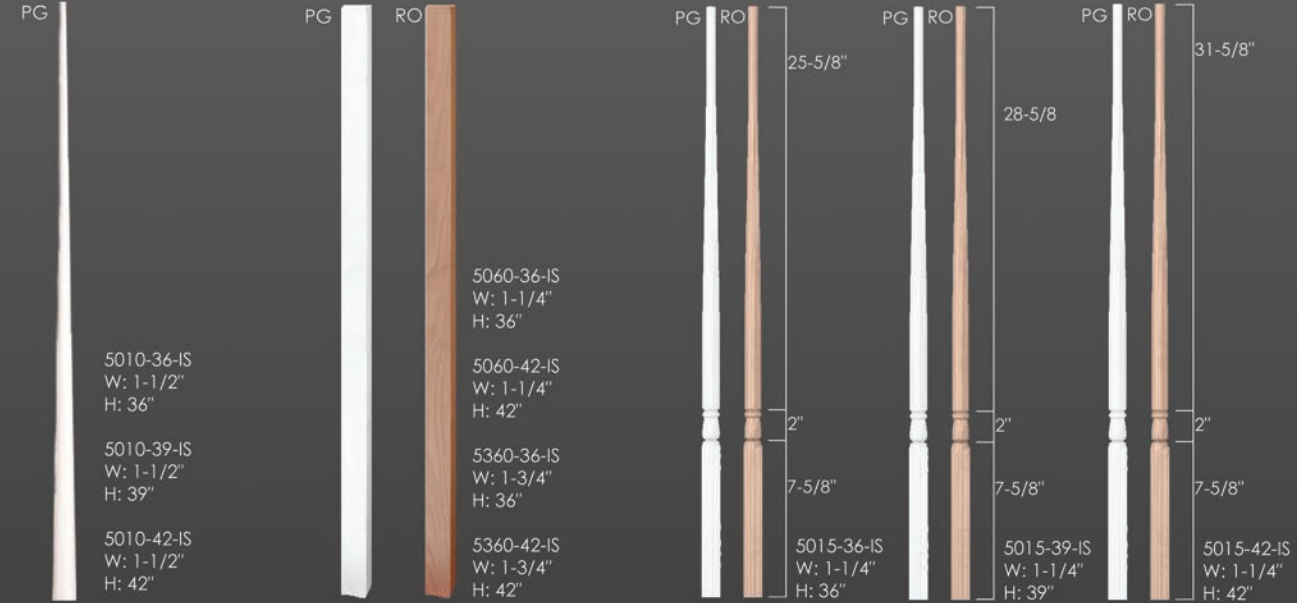
Wood Turnings



Blank Newels



WOOD BALUSTERS





Box Newels Non removable caps - Stocked in Red Oak and White Oak

 <p>Modern Box Newel Small 4400 HT. 56" W = 3-1/4" SOLID</p>	 <p>Modern Box Newel Large 5400 HT. 56" W = 5-1/2" SOLID</p>	 <p>Shown with optional base 4-1/2" x 21-3/4" (sold separately) BASE-4000</p>	 <p>Shown with optional base 6-1/2" x 21-3/4" (sold separately) BASE-5000</p>
---	---	---	---

Routed Newels Non removable caps - Stocked in Red Oak and White Oak

 <p>Modern Routed Newel 4900 HT. 56" W = 3-1/4" SOLID</p>	 <p>Modern Routed Newel 5900 HT. 56" W = 5-1/2" SOLID</p>	 <p>Shown with optional base 4-1/2" x 21-3/4" (sold separately) BASE-4000</p>	 <p>Shown with optional base 6-1/2" x 21-3/4" (sold separately) BASE-5000</p>
---	---	---	---

Blank Newel Caps

Available for: 3-1/4" and 5-1/2" blank newels
 Stocked in Red Oak and White Oak - Sold separately



3-1/4" Square Newels	SQUARE CAP-4000	PYRAMID CAP-4000	STACKED CAP-4000	COVE CAP-4000
HT. 1-3/4" W= 3-1/4"	HT. 1-3/4" W= 3-1/4"	HT. 1-9/16" W= 3-1/4"	HT. 2-1/4" W= 3-1/4"	HT. 2-1/2" W= 4-5/8"
5-1/2" Square Newels	SQUARE CAP-5000	PYRAMID CAP-5000	STACKED CAP-5000	COVE CAP-5000
HT. 2" W= 5-1/2"	HT. 2" W= 5-1/2"	HT. 1-5/8" W= 5-1/2"	HT. 2-3/4" W= 5-1/2"	HT. 2-7/8" W= 6-7/8"

Newel Bases

Stocked in Red Oak and White Oak



Blank Newels

Stocked in Red Oak and White Oak



Stabilizer newels are pre drilled 1/2" x 2-1/8" (7/16" x 3" dowel included)

Blank Balusters

Stocked in Pre-finished White, Red Oak and White Oak




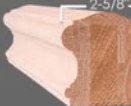
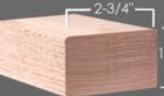
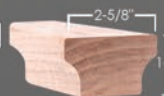




Blank Newel Options: Caps / Bases





















3-1/4" and 5-1/2" blank newels shown with optional bases and caps - sold separately
 Additional configuration options available.



WOOD HANDRAILS

<p>6040</p> <p>Round Wall Rail Diameter: 1-5/8"</p> 	<p>6010</p> <p>Colonial Hand Rail HT: 2-3/8" W: 2-1/4"</p>  <p>2-1/4" 2-3/8" 1-1/2"</p> <p>Solid Cap and Engineered</p>	<p>6210</p> <p>Traditional Hand Rail HT: 2-3/8" W: 2-5/8"</p>  <p>2-5/8" 2-3/8" 2"</p> <p>Solid Cap and Engineered</p>
<p>6710</p> <p>Prestige Hand Rail HT: 2-3/4" W: 2-5/8"</p>  <p>2-5/8" 2 3/4" 2"</p> <p>Solid Cap and Engineered</p>	<p>6002</p> <p>Modern Hand Rail HT: 1-5/8" W: 2-3/4"</p>  <p>2-3/4" 1-5/8"</p> <p>Solid Cap</p>	<p>6084</p> <p>Modern Hand Rail HT: 1-5/8" W: 2-5/8"</p>  <p>2-5/8" 1-5/8" 1-3/4"</p> <p>Solid Cap</p>
<p>6610</p> <p>Transitional Hand Rail HT: 2-1/4" W: 2-5/8"</p>  <p>2-5/8" 2-1/4" 2"</p> <p>Solid Cap</p>	<p>6810</p> <p>Georgian Hand Rail HT: 2-17/64" W: 2-21/32"</p>  <p>2.65" 2.26"</p> <p>Solid Cap</p>	<p>6610-IS Straight Rail 6610-B Bending Rail</p> <p>6710-IS Straight Rail 6713-IS Bending Rail</p> <p>6002 Straight Rail no fittings available</p> <p>6084 Straight Rail no fittings available</p> <p>6810-IS Straight Rail 6810-B Bending Rail</p>

WOOD FITTINGS

<p>OPENING CAP</p>  <p>7019-IS 7219-IS 7719-IS</p>	<p>RETURNED END</p>  <p>7009-IS 7209-IS 7709-IS</p>	<p>LEVEL QUARTER TURN WITH CAP</p>  <p>7621-IS 7821-IS</p>	<p>LEVEL QUARTER TURN</p>  <p>7011-IS 7211-IS 7711-IS 7611-IS 7811-IS</p>	<p>UP EASING</p>  <p>7012-IS 7212-IS 7712-IS 7612-IS 7812-IS</p>
<p>OVER EASING</p>  <p>7013-IS 7213-IS 7713-IS 7613-IS 7813-IS</p>	<p>TANDEM CAP</p>  <p>7020-IS 7220-IS 7720-IS 7620-IS 7820-IS</p>	<p>S-TURN LEFT</p>  <p>7022-L-IS 7222-L-IS 7722-L-IS</p>	<p>S-TURN RIGHT</p>  <p>7022-R-IS 7222-R-IS 7722-R-IS</p>	
<p>LEFT HAND VOLLUTES</p>  <p>7030-IS 7230-IS 7730-IS</p>	<p>RIGHT HAND VOLLUTES</p>  <p>7035-IS 7235-IS 7735-IS</p>	<p>LEFT HAND TURNOUTS</p>  <p>7040-IS 7240-IS 7740-IS</p>	<p>RIGHT HAND TURNOUTS</p>  <p>7045-IS 7245-IS 7745-IS</p>	
<p>2 RISE LEFT HAND GOOSENECK</p>  <p>7071-IS 7271-IS 7771-IS</p>	<p>2 RISE RIGHT HAND GOOSENECK</p>  <p>7076-IS 7276-IS 7776-IS</p>	<p>2 RISE LEFT HAND GOOSENECK WITH CAP</p>  <p>7081-IS 7281-IS 7781-IS</p>	<p>2 RISE RIGHT HAND GOOSENECK WITH CAP</p>  <p>7086-IS 7286-IS 7786-IS</p>	
<p>2 RISE STRAIGHT GOOSENECK WITH CAP</p>  <p>7088-2-IS 7288-2-IS 7788-2-IS</p>	<p>2 RISE L STRAIGHT GOOSENECK</p>  <p>7099-IS 7299-IS 7799-IS 7699-IS 7899-IS</p>	<p>START EASING WITH CAP</p>  <p>7010-IS 7210-IS 7710-IS</p>		

ALL WOOD FITTINGS AVAILABLE IN RO AND WO.

TREADS & STARTER STEPS

Treads

Double Mitered Return Tread (DMR)
Overall length does not include mitered return

8070-48-DMR 48" OVERALL 11-1/2" WIDE
8070-54-DMR 54" OVERALL

Mitered Return Tread (Reversible)
Overall length does not include mitered return

8070-48-MR 48" OVERALL 11-1/2" WIDE
8070-60-MR 60" OVERALL

Bull Nose Tread

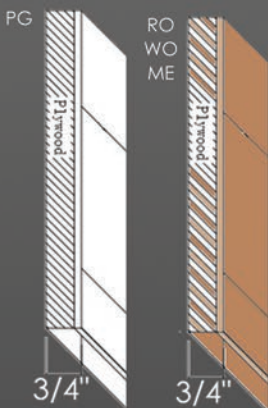
8070-42 42" OVERALL (ALSO AVAILABLE IN MAPLE)
8070-48 48" OVERALL
8070-54 54" OVERALL
8070-60 60" OVERALL (ALSO AVAILABLE IN MAPLE)
8070-72 72" OVERALL

Mitered Return Tread Cap



8071L-IS (Left Hand)
8071R-IS (Right Hand)

Skirtboard & Risers



40012-IS 11-1/2" X 12"
40016-IS 11-1/2" X 16"
SKIRTBOARD

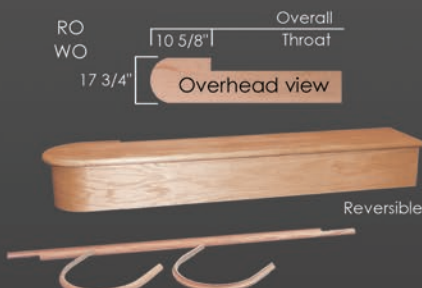
8075-48-IS 7-1/2" X 4'
8075-60-IS 7-1/2" X 5'
RISERS
(ALSO AVAILABLE IN PR)

Double End Starting Step



8015-48 (48" THROAT) 69" OVERALL RO ONLY
8015-54 (54" THROAT) 75" OVERALL
8015-60 (60" THROAT) 81" OVERALL RO ONLY

Single End Starting Step



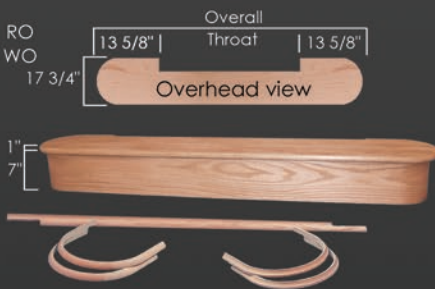
8030-48 (6 1/4" X 48" THROAT) 58 5/8" OVERALL
8030-60 (6 1/4" X 60" THROAT) 70 5/8" OVERALL

False End Starting Steps



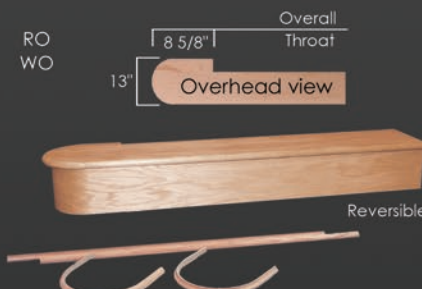
8012
REPLACEMENT COVE &
SHOE MOLDINGS

8011 NO NOTCH
(11 1/2" X 16 1/2")
INCLUDES COVE
& SHOE MOLDINGS



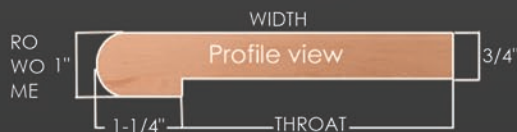
8050-54 WIDTH 17 3/4"
THROAT 48" - 54") 75-1/4" OVERALL
8050-60 WIDTH 17 3/4"
THROAT 54" - 60") 81 1-1/4" OVERALL

8017-54 WIDTH 13"
(THROAT 48" - 54") 75" OVERALL



8010-48 (48" THROAT) 58 1/2" OVERALL
8010-60 (60" THROAT) 70 1/2" OVERALL
8010-72 (72" THROAT) 82 1/2" OVERALL

Bull Nosed Landing Tread



8091-8-IS	5-1/4" WIDTH	4" THROAT	Length 8'
8091-12-IS	5-1/4" WIDTH	4" THROAT	Length 12'
8091-16-IS	5-1/4" WIDTH	4" THROAT	Length 16'
8090-8-IS	3-1/2" WIDTH	2" THROAT	Length 8'
8090-12-IS	3-1/2" WIDTH	2" THROAT	Length 12'
8090-16-IS	3-1/2" WIDTH	2" THROAT	Length 16'

1" Bull Nosing



WOOD ACCESSORIES

Rosettes

RO
WO
ME



7033
RECTANGULAR
ROSETTE
4" X 5-1/2"

RO
WO
ME



7037
OVAL ROSETTE
4" X 5 1/2"

RO
WO
ME



7039
SQUARE ROSETTE
4" X 4"

Plugs

RO
WO
ME



9002-IS (1/2")
9005-IS (1")
OAK PLUGS

Wood Species



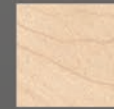
Red Oak (RO)



Prefinished White (PG)



White Oak (WO)



Maple (ME)



Poplar (PR)

EPOXY GUN-EPC-101



EPOXY-EPC-410



EPOXY PASTE EPC-7



NEWEL FASTENER S-9403-HOF



Sure Tite

NEWEL FASTENER S-9401



Key Lock

WOOD GLUE & FILLER



FAM-O-WOOD
RO-9208 (Red Oak)

S-9202
(1 Gal.)

S-9203
(32 oz.)

S-9204
(16 oz.)

S-9205
(8 oz.)

S-9200

DOWEL SCREW

C-905-2 (25 per bag)



DRIVER

C-905-2D
(fits wood screw thread)



sold individually

RAIL BOLT KIT

S-9600

(Includes hex nut, spacer
and 1" Red Oak plug)



RAIL BOLT DRIVER

S-9600-D

(fits machine thread)



sold individually

STAIR & RAILING PRODUCTS BY



VERSION 1120

1711 Cable Drive NE
Conover, NC 28613
Phone: 866-443-4848 Fax: 281-443-4848
www.houseofforgings.net