

AXIA[®]

STAIR & RAILING SYSTEMS



STYLE



QUALITY



VALUE

AXIA[®]
STAIR & RAILING SYSTEMS

Full Product Line Catalog Edition 001-C



style

[stahyl]

noun

an elegant, fashionable, or luxurious mode of living: to live in style.

quality

[kwol-i-tee]

noun

high grade; superiority; excellence: railing of exceptional quality

value

[val-yoo]

noun

relative worth, merit, or importance: the value of a home

Stainless steel

In metallurgy, stainless steel, also known as inox steel or inox from French inoxydable (inoxidizable), is a steel alloy with a minimum of 10.5% chromium content by mass.

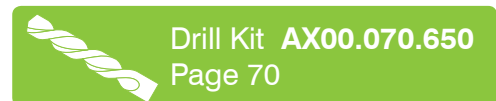
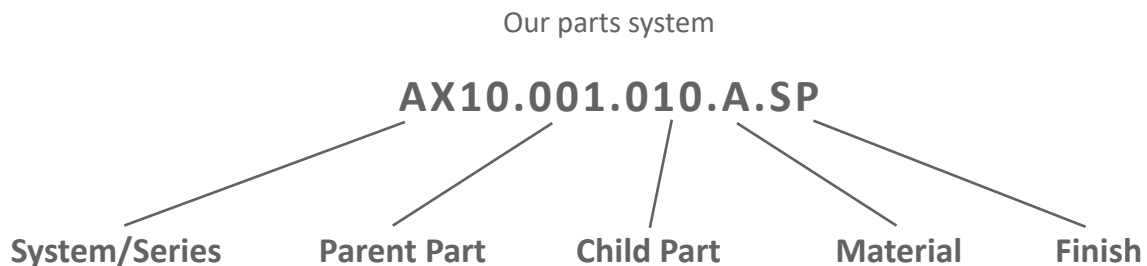
Stainless steel is notable for its corrosion resistance, and it is widely used for food handling and cutlery among many other applications.

Stainless steel does not readily corrode, rust or stain with water as ordinary steel does. However, it is not fully stain-proof in low-oxygen, high-salinity, or poor air-circulation environments.

There are various grades and surface finishes of stainless steel to suit the environment the alloy must endure. Stainless steel is used where both the properties of steel and corrosion resistance are required.

Stainless steel differs from carbon steel by the amount of chromium present. Unprotected carbon steel rusts readily when exposed to air and moisture. This iron oxide film (the rust) is active and accelerates corrosion by making it easier for more iron oxide to form. Since iron oxide has lower density than steel, the film expands and tends to flake and fall away. In comparison, stainless steels contain sufficient chromium to undergo passivation, forming an inert film of chromium oxide on the surface. This layer prevents further corrosion by blocking oxygen diffusion to the steel surface and stops corrosion from spreading into the bulk of the metal. Passivation occurs only if the proportion of chromium is high enough and oxygen is present in it.

Stainless steel’s resistance to corrosion and staining, low maintenance, and familiar lustre make it an ideal material for many applications.



Parts that require adhesive

We offer a complete selection of the highest grade adhesives for professional installation.

Page 69

Parts that require hardware

Our parts are available with a full range of system hardware as well as anchors for mounting to wood and concrete.

Page 68

Installation kits available

Our complete offering of installation kits, tools and accessories makes it easy to professionally install our systems.

Page 70

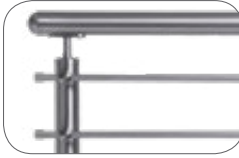
Index

Post Railing Systems

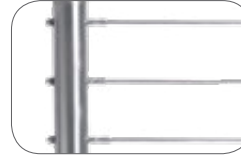
ROUND SERIES



INFILL OPTIONS



Round Tube Infill 4-7



Cable Infill 8-13



Glass Clamps 14-17

POST OPTIONS



Round Post
Options 18-21

HANDRAIL OPTIONS



Round Handrail
Options 22-25

SQUARE SERIES



INFILL OPTIONS



Bar/Tube Infill 26-29



Cable Infill 30-35



Glass Clamps 36-39

POST OPTIONS



Square Post
Options 42-43



Wood Post
Options 42-43

HANDRAIL OPTIONS



Square Handrail
Options 42-45



Wood Handrail
Options 42-45

Glass Railing Systems

STANDOFF SERIES



STANDOFF OPTIONS



Round Standoffs
46-49



Square Standoffs
50-53

U CHANNEL SERIES



MOUNTING OPTIONS



Floor Mount 54-60



Wall Mount 54-60



Spigot Clamps 61

CAP RAIL OPTIONS



Round Top rail
Options 62-65



Square Top rail
Options 66-67



Wood Top rail
66-67

ACCESSORIES



INSTALLATION



Hardware 68



Adhesives 69

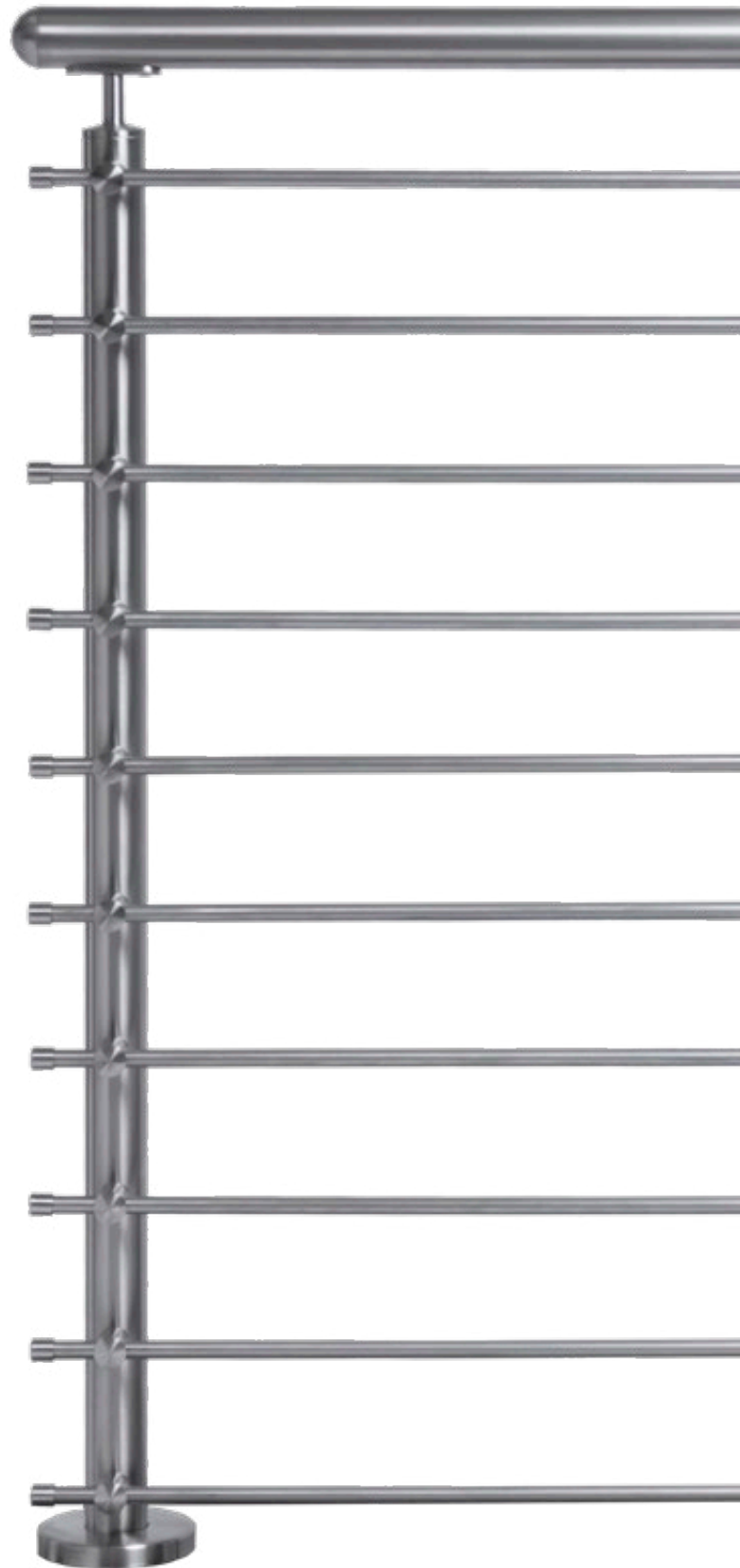


Tools & Accessories
70-71




Specialty Tools 72





| COD. | Ø | L | Wt. |
|----------------------------|-------------|------------------|--------------------|
| AX10.009.83000.A.SP | 12 x 1.5 mm | 3000 mm (9'-10") | 1.1 kgs (2.42 lbs) |
| AX10.009.85800.A.SP | 12 x 1.5 mm | 5800 mm (19') | 2.1 kgs (4.64 lbs) |

Round tube infill


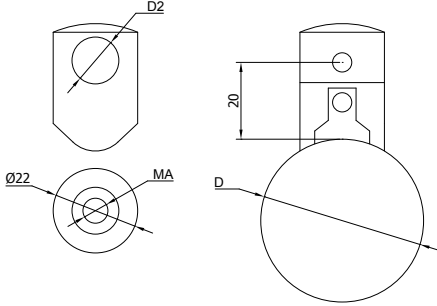



For information on cutting stainless steel
houseofforgings.net/axia-install-guides

| COD. | D | D2 | MA |
|--------------------------|---------|-------|--------|
| AX10.010.200.A.SP | 42.4 mm | 12 mm | 6.5 mm |


Round tube infill holder

Weight:
 .053 kgs (.117 lbs)

Quick# 260X
 Page 68

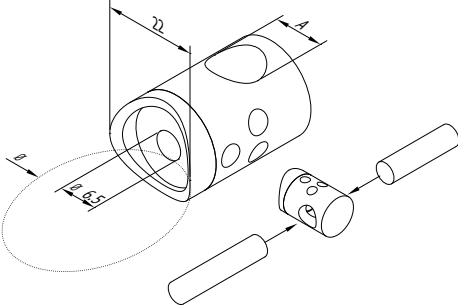

1 per location



| COD. | B | A |
|--------------------------|---------|-------|
| AX10.010.206.A.SP | 42.4 mm | 12 mm |


Round tube infill holder - connector

Weight:
 .054 kgs (.118 lbs)

Quick# 260X
 Page 68

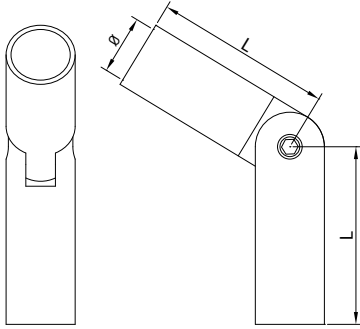


1 per location




| COD. | Ø | L |
|--------------------------|-------|-------|
| AX10.010.082.A.SP | 12 mm | 36 mm |

Inline connector

Weight:
.03 kgs (.066 lbs)

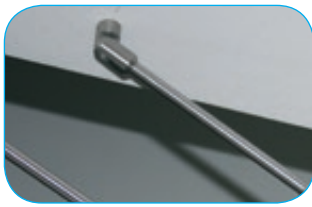
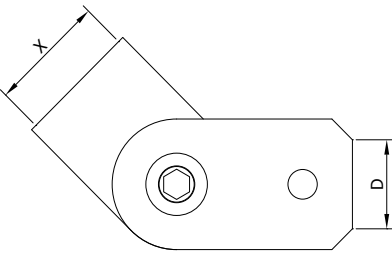





± 90° adjustable

| COD. | X | D |
|--------------------------|-------|-------|
| AX10.010.209.A.SP | 22 mm | 12 mm |

Inline holder for flat mount

Weight:
.126 kgs (.277 lbs)

± 90° adjustable


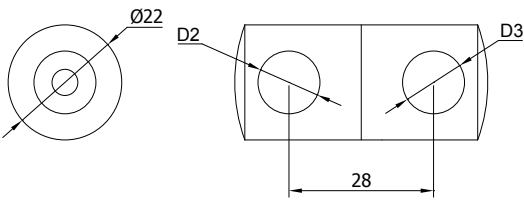

Quick# 820X
Page 68

1 per location

| COD. | D2 | D3 |
|--------------------------|-------|-------|
| AX10.010.208.A.SP | 12 mm | 12 mm |

Cross holder


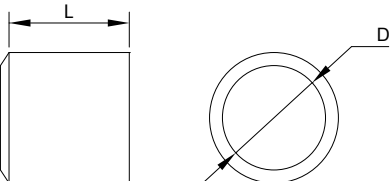


Weight:
.098 kgs (.216 lbs)

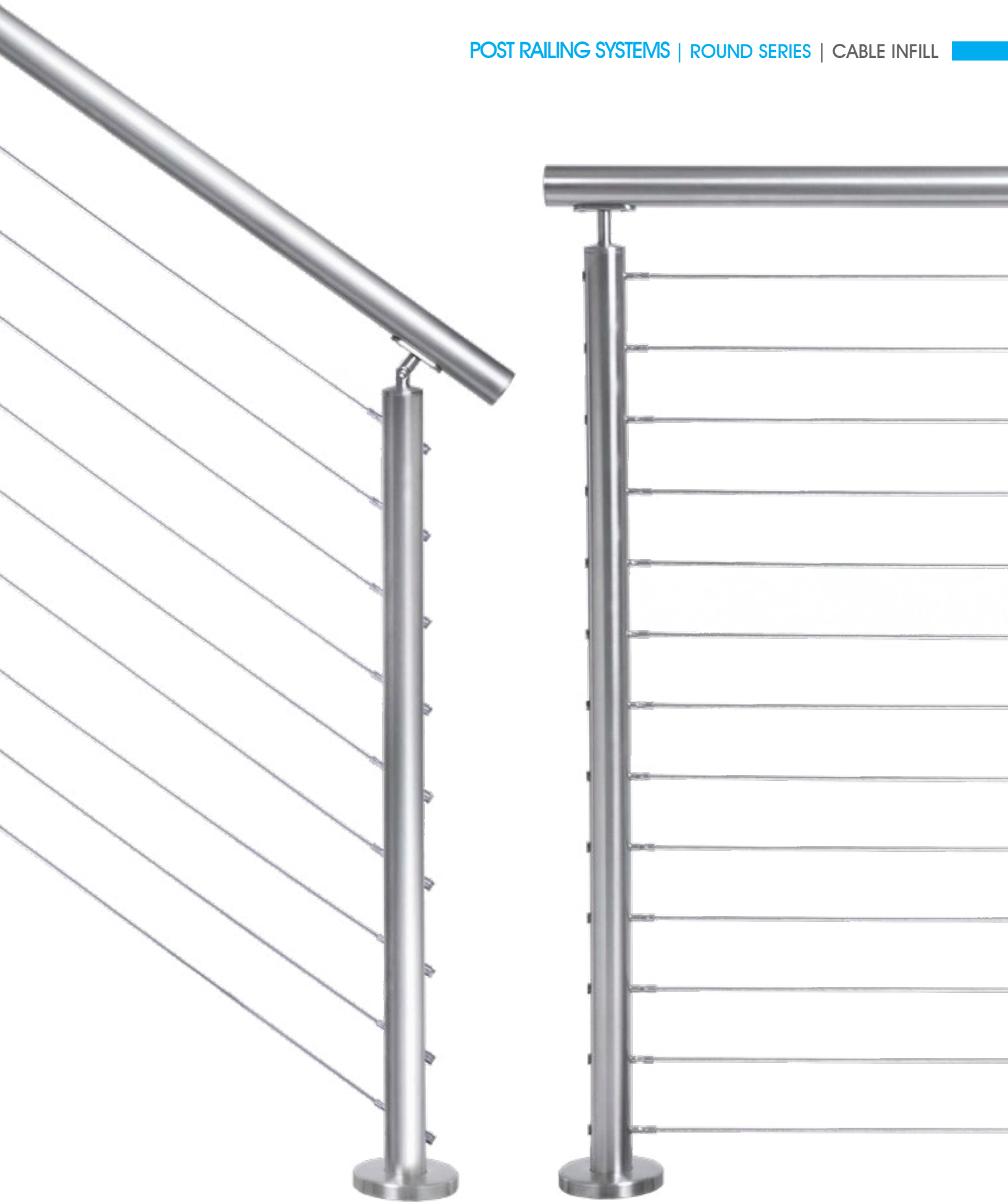
| COD. | D | L |
|--------------------------|-------|-------|
| AX10.010.081.A.SP | 12 mm | 15 mm |

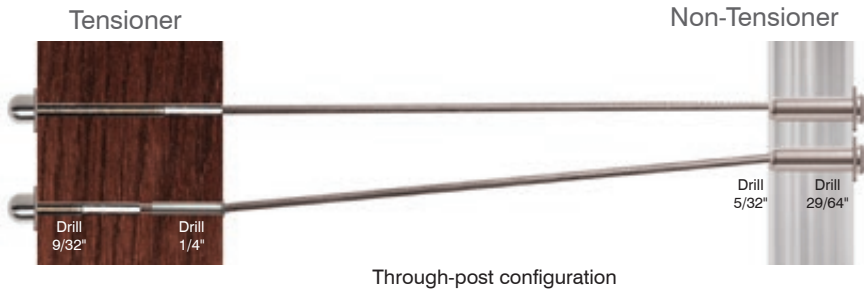
End cap

Weight:
.011 kgs (.024 lbs)







Through-post configuration

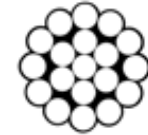
Outside to outside
Level/balcony or angle/stair
Steel or wood posts

Drill Kit AX00.070.630
AX00.070.635 Page 70

Pre-assembled kit includes fittings and factory swaged cable in lengths 5'-25'



Included in kit



AISI 316

MINIMUM BREAKING STRENGTH - Cable Diameter 1/8" = 1,780 lbs.
1X19 STRAND TYPE 316 STAINLESS STEEL CABLE

1 x 19 Cable - 1/8" Diameter

Cable Cutter



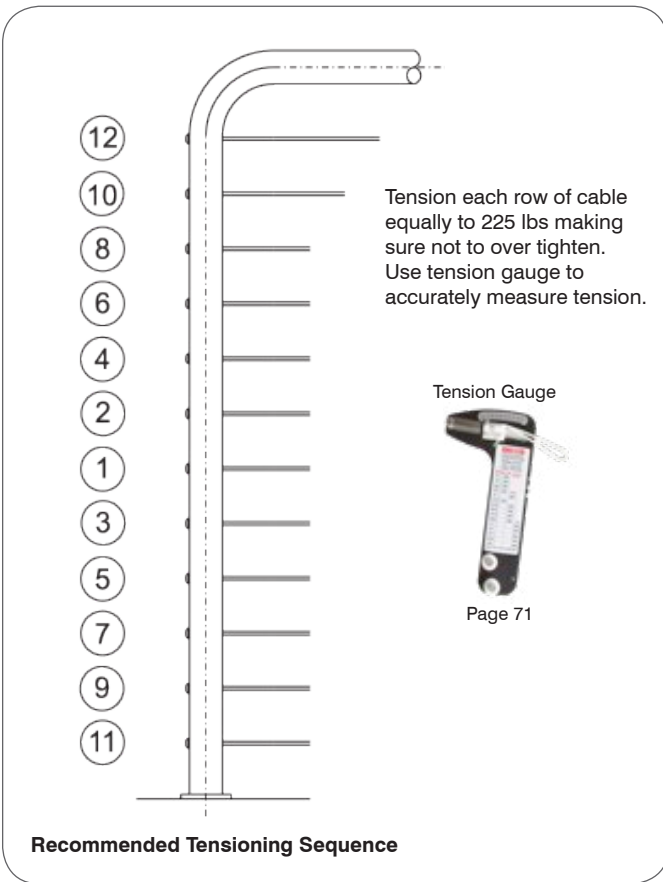
Page 71

Cable cut-off wheel



Page 71

Used to cut cable flush with the end of Pull-Lock fittings, and to cut excess threads of stud. Includes mandrel and two cut-off wheels.



EASY AS 1-2-3

1. What posts are you using? Wood or metal?
2. Measure your level and stair runs, calculate number of level and stair fittings.
3. Add up tensioners and non-tensioners, then calculate total cable footage (plus 5%).

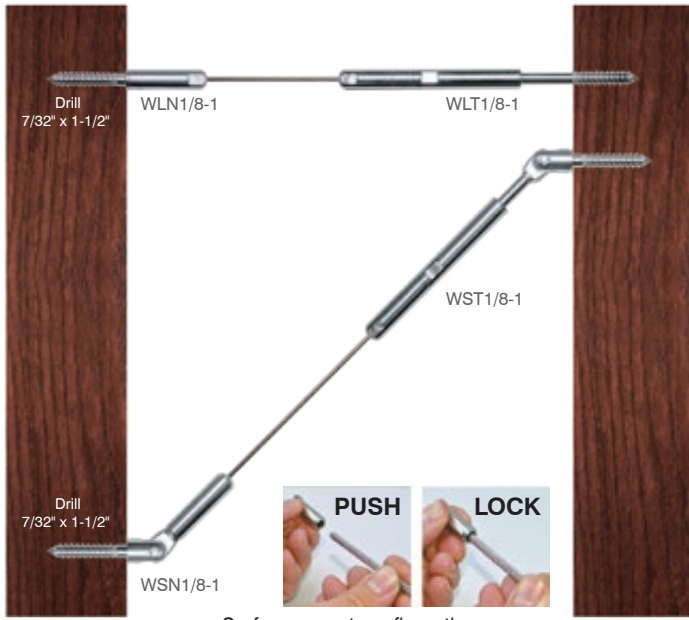
Push-Lock®
Fittings

Push-Lock fittings do not require any special tools for installation. Simply push the cable into the fitting and it locks.



Non-Tensioner

Tensioner



For use with 1/8" cable

| COD. | Description | Wt. |
|------------------|-----------------------------------|--------------------|
| WLN1/8-1 | Wood Level Non Tensioner | .04 kgs (.092 lbs) |
| WLN1/8-10 | Wood Level Non Tensioner(10 pack) | .31 kgs (.693 lbs) |
| WLT1/8-1 | Wood Level Tensioner | .07 kgs (.173 lbs) |
| WLT1/8-10 | Wood Level Tensioner(10 pack) | .68 kgs (1.5lbs) |
| WSN1/8-1 | Wood Stair Non Tensioner | .06 kgs (.135 lbs) |
| WSN1/8-10 | Wood Stair Non Tensioner(10 pack) | .5 kgs (1.12 lbs) |
| WST1/8-1 | Wood Stair Tensioner | .09 kgs (.217 lbs) |
| WST1/8-10 | Wood Stair Tensioner(10 pack) | .88 kgs (1.94 lbs) |

Inside to inside
Level/balcony or angle/stair
Wood posts

Cable Cutter

Driver



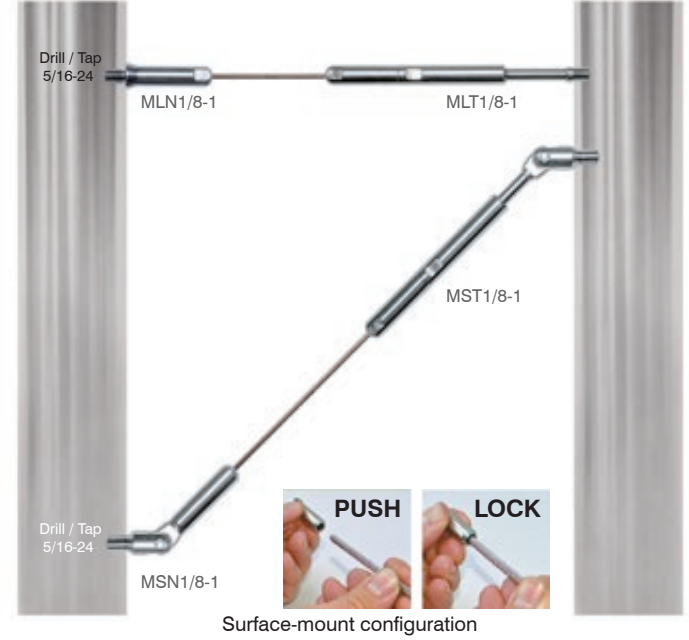
Page 71

Drill Kit **AX00.070.625**
Page 70

Page 71

Non-Tensioner

Tensioner



For use with 1/8" cable

| COD. | Description | Wt. |
|------------------|------------------------------------|---------------------|
| MLN1/8-1 | Metal Level Non Tensioner | .04 kgs (.087 lbs) |
| MLN1/8-10 | Metal Level Non Tensioner(10 pack) | .29 kgs (.638lbs) |
| MLT1/8-1 | Metal Level Tensioner | .07 kgs (.158 lbs) |
| MLT1/8-10 | Metal Level Tensioner(10 pack) | .61 kgs (1.349 lbs) |
| MSN1/8-1 | Metal Stair Non Tensioner | .05 kgs (.118 lbs) |
| MSN1/8-10 | Metal Stair Non Tensioner(10 pack) | .6 kgs (1.349 lbs) |
| MST1/8-1 | Metal Stair Tensioner | .09 kgs (.202 lbs) |
| MST1/8-10 | Metal Stair Tensioner(10 pack) | .81 kgs (1.793 lbs) |

Inside to inside
Level/balcony or angle/stair
Metal posts

Cable Cutter



Page 71

Drill Kit **AX00.070.650**
AX00.070.645 Page 70



AISI 316

| COD. | Description | Wt. |
|---------------------|---|----------------------|
| UTCABLE100-4 | 100' coil - 1/8" 1X19 type 316 S/S cable | 2.07 kgs (4.56 lbs) |
| UTCABLE500-4 | 500' spool - 1/8" 1X19 type 316 S/S cable | 10.02 kgs (22.1 lbs) |

1x19 Cable(1/8" 316)

MINIMUM BREAKING STRENGTH - Cable Diameter 1/8" = 1,780 lbs.
1X19 STRAND TYPE 316 STAINLESS STEEL CABLE

Tensioner



Drill
5/16"

Tensioner



Drill
5/16"

Through-post configuration

For use with 4mm cable

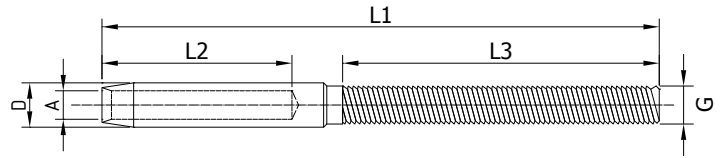
| COD. | G | mm | L1 | L2 | L3 | D | A | kg/100 |
|----------------------------|----|-----|------|------|------|-----|-----|--------|
| AX00.050.221SX.B.SP | M6 | 4.0 | 88.0 | 30.0 | 50.0 | 7.0 | 4.5 | 1.2 |

Left handed cable terminal stud (SX)

| | | | | | | | | |
|----------------------------|----|-----|------|------|------|-----|-----|-----|
| AX00.050.220DX.B.SP | M6 | 4.0 | 88.0 | 30.0 | 50.0 | 7.0 | 4.5 | 1.2 |
|----------------------------|----|-----|------|------|------|-----|-----|-----|

Right handed cable terminal stud (DX)

Weight:
.016 kgs (.035 lbs)



Hydraulic crimper



Page 72

Cable Cutter



Page 71

Drill Kit AX00.070.610
Page 70

| COD. | NV | G | kg/100 |
|----------------------------|----|----|-----------|
| AX00.050.233SX.B.SP | 12 | M6 | 0.9 LEFT |
| AX00.050.232DX.B.SP | 12 | M6 | 0.9 RIGHT |

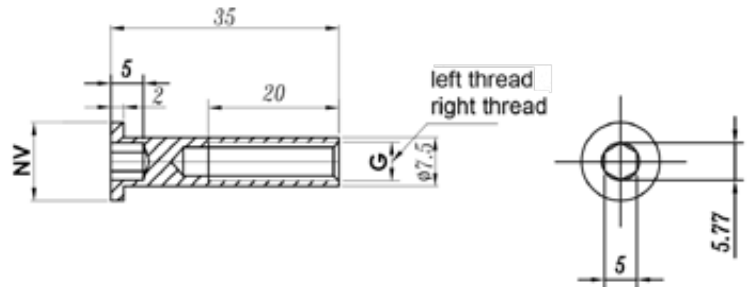


For use with 4mm cable

Threaded allen head cap tensioners

Weight:
.006 kgs (.013 lbs)

Drill Kit AX00.070.610
Page 70

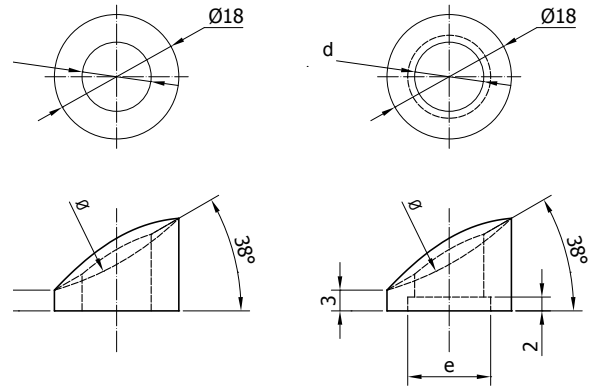




| COD. | d | Ø | e |
|--------------------------|-------|---------|------------|
| AX10.060.245.B.SP | 12 mm | 42.4 mm | 14 mm FLAT |

Sloping washer for round posts

Weight:
.006 kgs (.013 lbs)



Recommended for runs over 25'

AISI 316

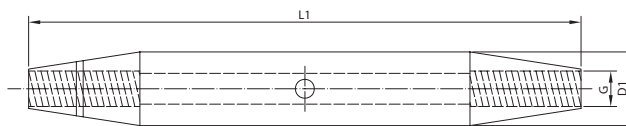


For use with 4mm cable

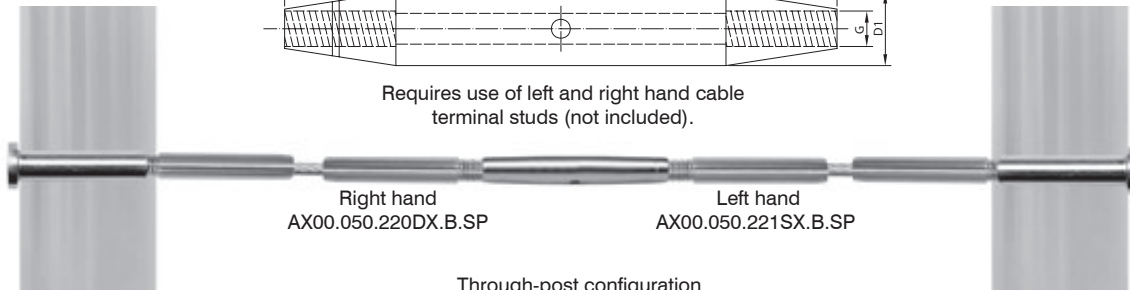
| COD. | G | L1 | D1 | kg/100 |
|--------------------------|----|------|------|--------|
| AX00.050.235.B.SP | M6 | 65.0 | 10.0 | 1.7 |

Middle-tensioning body

Weight:
.025 kgs (.055 lbs)



Requires use of left and right hand cable terminal studs (not included).



Through-post configuration

AISI 316



Available in 328' spool

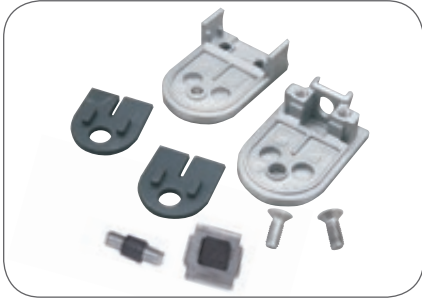
| COD. | Description |
|-------------------------|---|
| AX00.040.215.B.M | 328' Spool - 4 mm 1X19 type 316 S/S cable |

1x19 Cable - Bulk(4MM 316)

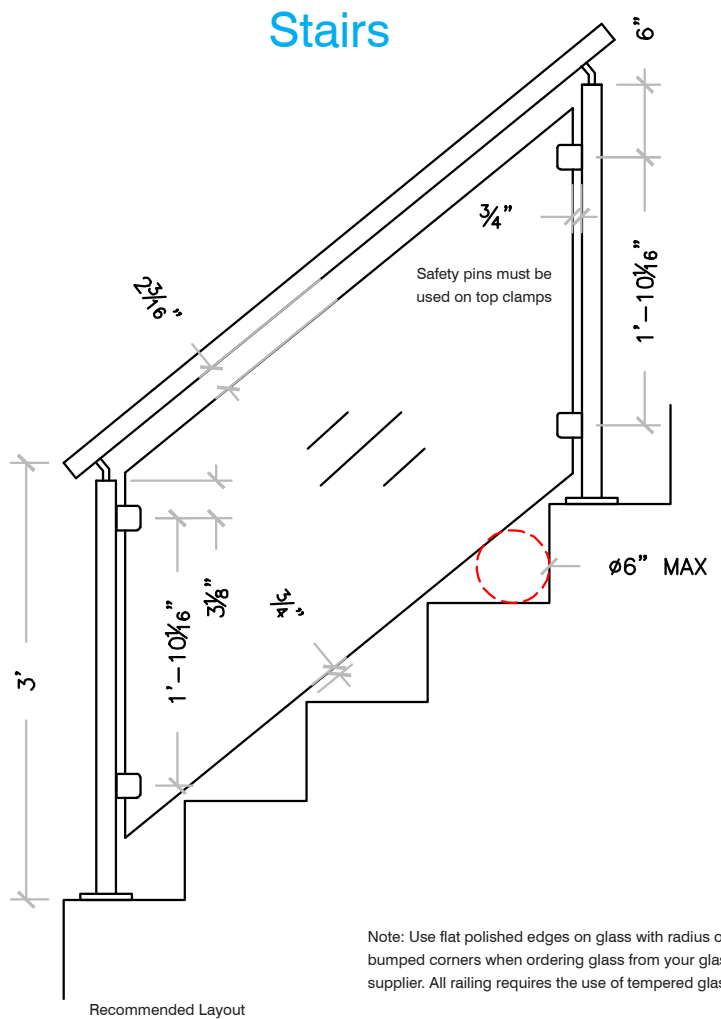
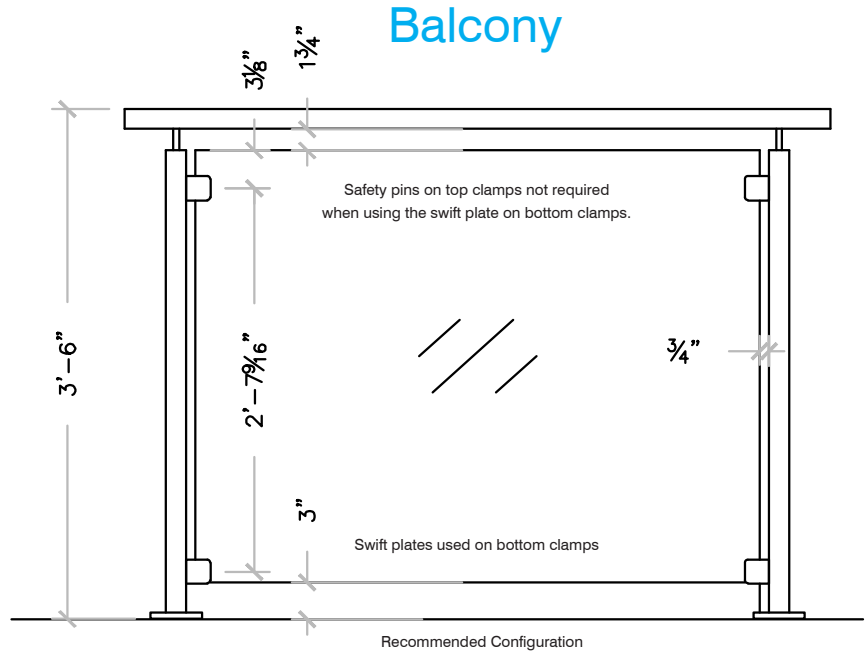
Weight:
8.5 kgs (18.73 lbs)







Use thread lock on all screws
AX00.100.563



Note: Use flat polished edges on glass with radius or bumped corners when ordering glass from your glass supplier. All railing requires the use of tempered glass.

| COD. | Ø | L |
|------|---|---|
|------|---|---|

AX10.014.180.A.SP 42.4 mm 10 - 12.76 mm

Glass clamps for round posts

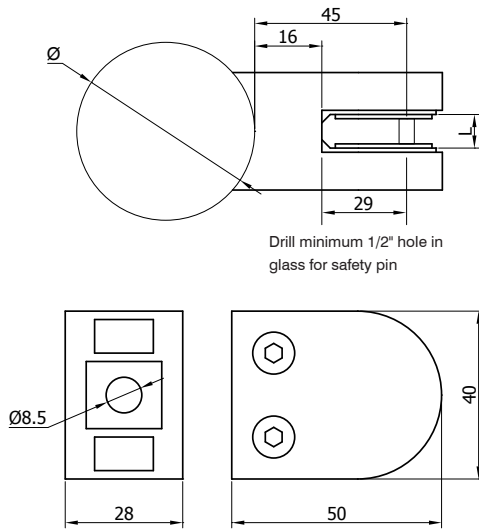
Weight:
.303 kgs (.667 lbs)

Rubber inserts not included
Available for 3/8" & 1/2" monolithic glass

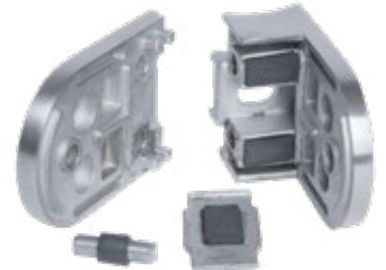
 Quick# 255X
Page 68

1 per location

Note: All glass on stairways and balconies are considered a hazardous location and requires the use of tempered glass.



Drill minimum 1/2" hole in glass for safety pin



Swift plate and safety pin included

Note: Safety pin or swift plate can be used to support glass.

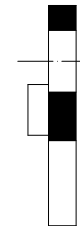
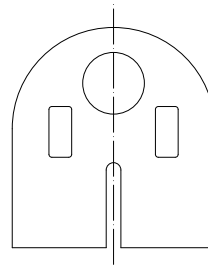
| COD. | T |
|------|---|
|------|---|

AX10.015.182R 10 mm for 3/8" glass

AX10.015.183R 12 mm for 1/2" glass

Glass clamp inserts

Weight:
.009 kgs (.02 lbs)



sold in pairs



| COD. | Size | ØD |
|--------------------------|------|---------|
| AX00.090.266.A.SP | M5 | 6.9 mm |
| AX00.090.267.A.SP | M6 | 8.9 mm |
| AX00.090.269.A.SP | M8 | 10.9 mm |

Pop rivets - threaded inserts

Weight:
.0018 kgs (.004 lbs)
.0027 kgs (.006 lbs)
.0045 kgs (.01 lbs)

Provides stronger connection for all system screws:
handrail, bar holders and glass clamps
No tapping Required

 Quick# 250X, 255X,
260X Page 68

Sold individually





Page 72

| COD. | Ø | ØBase | Height |
|--------------------------|---------|--------|-------------------|
| AX10.001.001.A.SP | 42.4 mm | 101 mm | 1000 mm (39-3/8") |


Round post - floor mounted

Weight:
2.34 kgs (5.15 lbs)

 Clear Silicone



Flange cover included

 Quick# 800X, 805X
Page 68


3 per location


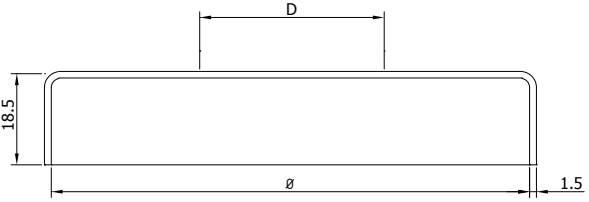
See recommended tools section for information on cutting stainless steel.
www.axiarailing.com/recommended-tools

| COD. | Ø | D |
|--------------------------|--------|----------|
| AX10.008.142.A.SP | 105 mm | 42.75 mm |

Replacement Flange cover - floor mounted

Weight:
.086 kgs (.189 lbs)


 Clear Silicone






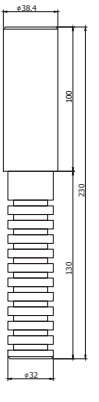
| COD. | Ø | D |
|-------------------------|---------|---|
| AX10.001.003.D.M | 42.4 mm | |

Core mount

Weight:
.849 kgs (1.87 lbs)

 Anaerobic Adhesive

 Epoxy

AX10.004.063.3000.A.SP (Rd. Tubing)
AX10.004.063.5800.A.SP (Rd. Tubing)
AX20.004.070.3000.A.SP (Sq. Tubing)
AX20.004.070.5800.A.SP (Sq. Tubing)

Cut tubing to length at wall angle


Glue tubing to core mount stem using anaerobic adhesive AX00.100.525 Page 69



Epoxy core mount stem to structure/blocking EPC-410 Epoxy Page 69

| COD. | Ø | D |
|--------------------------|--------|---------------|
| AX10.008.143.A.SP | 105 mm | 42.75 x 60 mm |

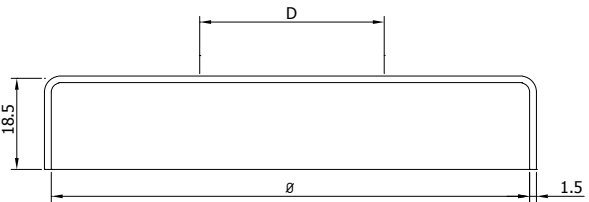
Angled flange cover - core mount

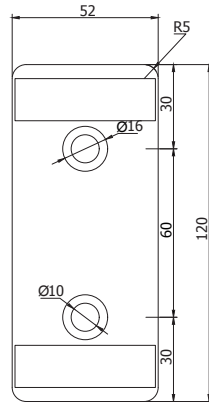
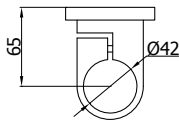
Weight:
.117 kgs (.257 lbs)

 Clear Silicone

up to 40 degrees





| COD. | Ø |
|--------------------------|---------|
| AX10.001.002.A.SP | 42.4 mm |

Wall mount

Weight:
.394 kgs (.869 lbs)

Quick#900X, 905X
Page 68

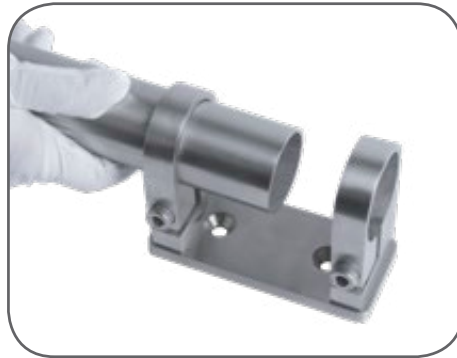
2 per location

Note: Use round tube handrail for posts(Page 22)

AX10.004.063.3000.A.SP
AX10.004.065.5800.A.SP



AX10.007.120.A.SP



AX10.007.121.A.SP



Note: End caps should be used on the bottom of the posts.




See page 22



| COD. | Ø | D |
|--------------------------|-------------|---------|
| AX10.005.020.A.SP | 42.4 x 2 mm | 42.4 mm |

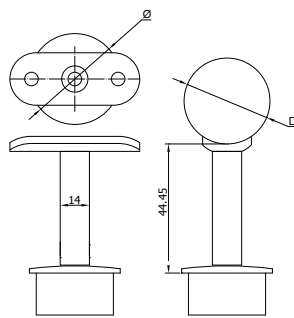

Post handrail support

Weight:
.174 kgs (.383 lbs)



 Quick# 250X, 540X
Page 68

Option: Use M5 pop rivets to attach handrail AX00.090.266.A.SP

2 per location


Round saddle included
Flat saddles available (Page 41)

| COD. | Ø | D |
|--------------------------|-------------|---------|
| AX10.005.021.A.SP | 42.4 x 2 mm | 42.4 mm |

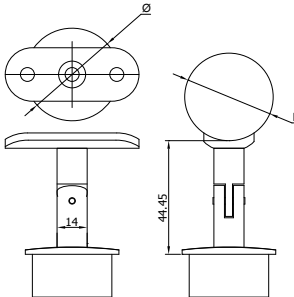

Post handrail support - adjustable

Weight:
.164 kgs (.361 lbs)

 Quick# 250X, 540X
Page 68



Option: Use M5 pop rivets to attach handrail AX00.090.266.A.SP

2 per location

20° - 90° adjustable


Round saddle included
Flat saddles available (Page 41)

| COD. | Ø | D |
|--------------------------|-------------|---------|
| AX10.005.026.A.SP | 42.4 x 2 mm | 42.4 mm |

Rail support - beveled/coped


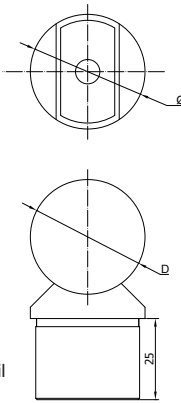




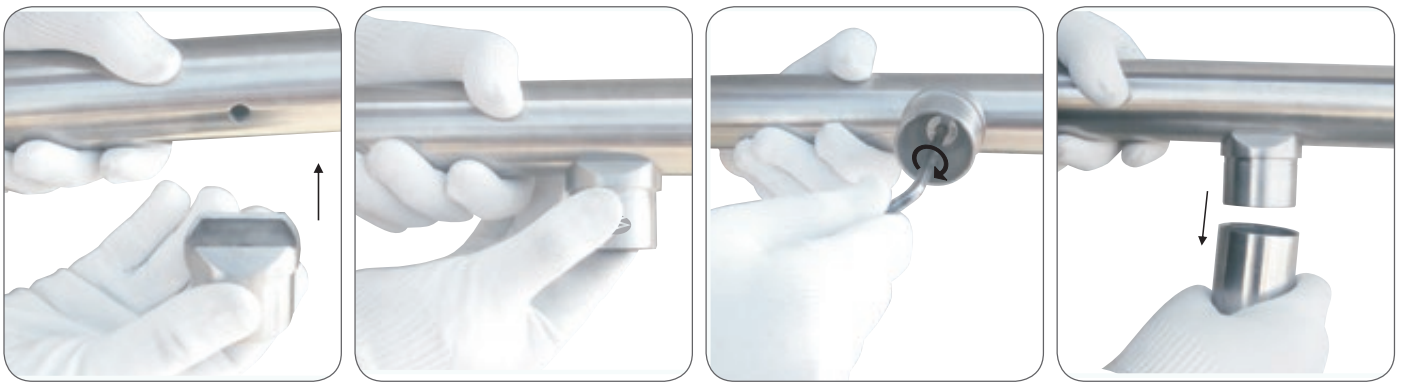
Weight:
.118 kgs (.26 lbs)

 Quick# 260X
Page 68

Option: Use M6 pop rivets to attach handrail AX00.090.267.A.SP

1 per location

For use on level balconies only

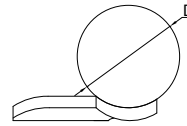
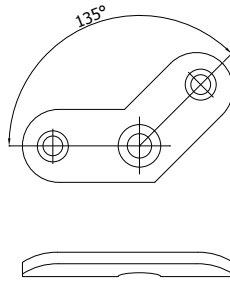
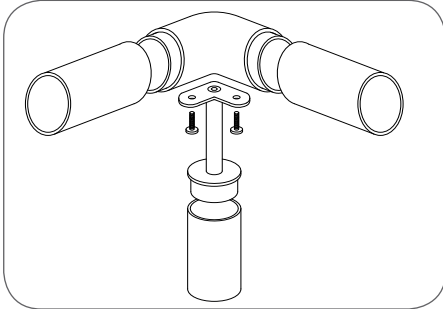








COD. D

AX10.005.022.A.SP 42.4 mm

45 degree saddle

Weight:
.047 kgs (.103 lbs)



Quick# 250X, 540X
Page 68

2 per location

COD. D

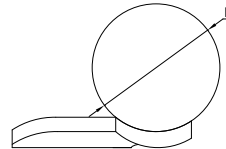
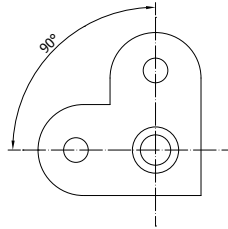
AX10.005.023.A.SP 42.4 mm

90 degree saddle

Weight:
.036 kgs (.079 lbs)

Quick# 250X, 540X
Page 68

2 per location



COD. D

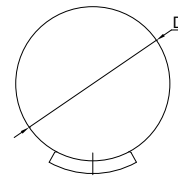
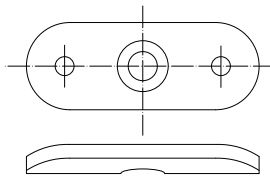
AX10.005.024.A.SP 42.4 mm

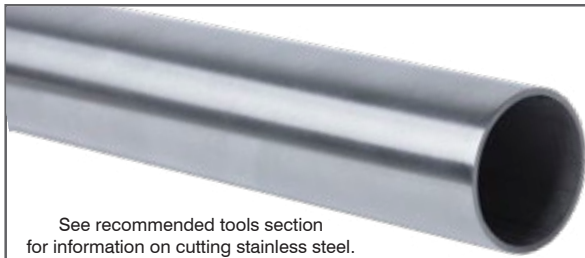
Saddle - 180 degree - round

Weight:
.037 kgs (.081 lbs)

Quick# 250X, 540X
Page 68

2 per location



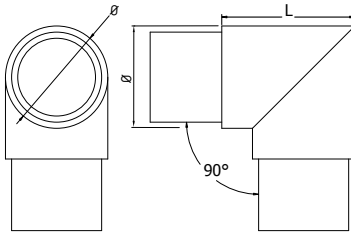


| COD. | Ø | L |
|-------------------------------|-------------|------------------|
| AX10.004.063.3000.A.SP | 42.4 x 2 mm | 3000 mm (9'-10") |
| AX10.004.065.5800.A.SP | 42.4 x 2 mm | 5800 mm (19') |

Round tube handrail/post

Weight:
6.2 kgs (13.64 lbs)
11.9 kgs (26.18 lbs)

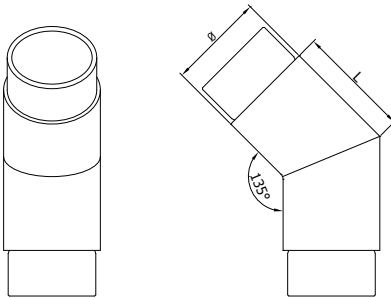
See recommended tools section for information on cutting stainless steel.
www.axiarailing.com/recommended-tools



| COD. | Ø | L |
|--------------------------|-------------|-------|
| AX10.008.100.A.SP | 42.4 x 2 mm | 50 mm |

90 degree elbow

Weight:
.266 kgs (.585 lbs)



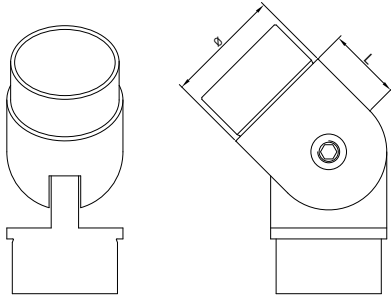
| COD. | Ø | L |
|--------------------------|-------------|-------|
| AX10.008.101.A.SP | 42.4 x 2 mm | 50 mm |

45 degree elbow

Weight:
.316 kgs (.695 lbs)



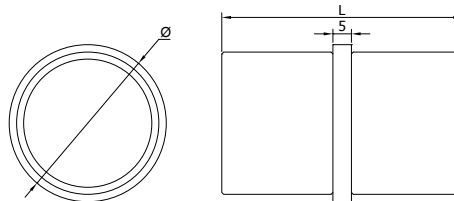
± 90° adjustable



| COD. | Ø | L |
|--------------------------|-------------|-------|
| AX10.008.102.A.SP | 42.4 x 2 mm | 50 mm |

Adjustable ± 90 degree elbow

Weight:
.379 kgs (.834 lbs)



| COD. | Ø | L |
|--------------------------|-------------|-------|
| AX10.008.103.A.SP | 42.4 x 2 mm | 50 mm |

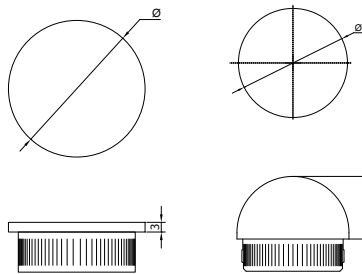
Connector

Weight:
.121 kgs (.166 lbs)

| COD. | Ø |
|--------------------------|-------------|
| AX10.007.120.A.SP | 42.4 x 2 mm |

Flat end cap

Weight:
.057 kgs (.125 lbs)



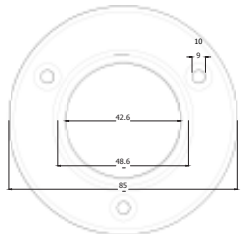
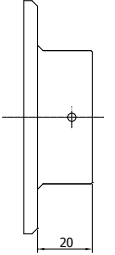





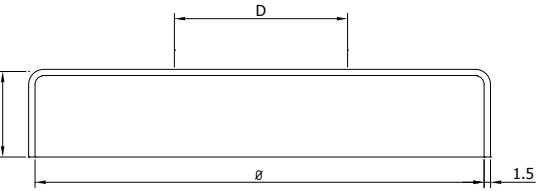
| COD. | Ø | H |
|--------------------------|-------------|-------|
| AX10.007.121.A.SP | 42.4 x 2 mm | 21 mm |



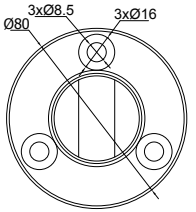
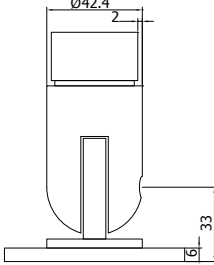

Round end cap



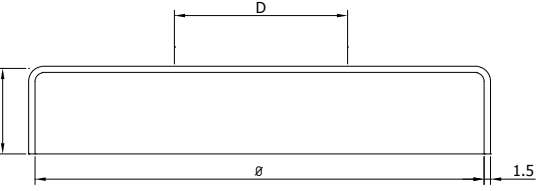
Weight:
.072 kgs (.158 lbs)



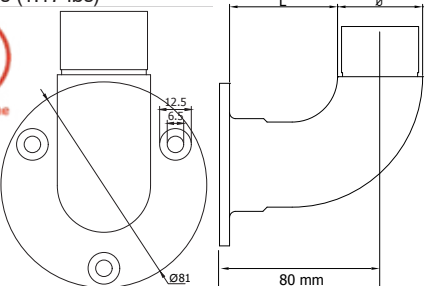
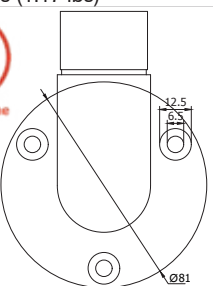





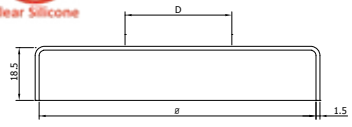
| COD. | Ø | D |
|--|---|---------|
| AX10.008.140.A.SP | 80 mm | 42.4 mm |
| Wall mount flange | | |
| Weight: .202 kgs (.444 lbs) | | |
|  |  | |
| Flange cover included | | |
|  |  | |
|  Quick# 820X Page 68 3 per location | | |

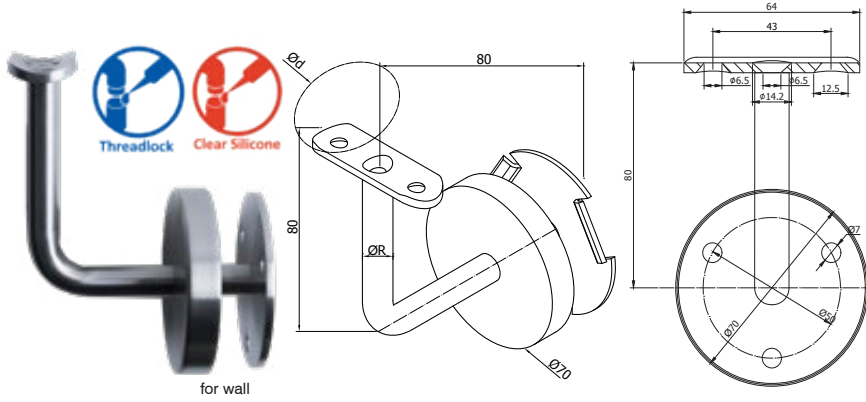
| COD. | Ø | D |
|--|---|-------|
| AX10.008.139.A.SP | 89.7 mm | 50 mm |
| Replacement Flange cover | | |
| Weight: .099 kgs (.219 lbs) | | |
|  |  | |
|  | | |

| COD. | Ø | D |
|--|---|---|
| AX10.008.141.A.SP | 42.4 x 2 mm | |
| Adjustable wall mount flange | | |
| Weight: .1 kgs (.22 lbs) | | |
|  |  | |
| ± 90° adjustable | | |
| Flange cover included | | |
|  |  | |
|  Quick# 830X Page 68 3 per location | | |

| COD. | Ø | D |
|--|--|---------|
| AX10.008.144.A.SP | 84.6 mm | 42.9 mm |
| Replacement Flange cover | | |
| Weight: .054 kgs (.119 lbs) | | |
|  |  | |
|  | | |

| COD. | Ø | L |
|--|---|-------|
| AX10.033.104.A.SP | 42.4 x 2 mm | 54 mm |
| Wall rail return flange | | |
| Weight: .533 kgs (1.17 lbs) | | |
|  |  | |
| Flange cover included | | |
|  |  | |
|  Quick# 830X Page 68 3 per location | | |

| COD. | Ø | D |
|---|---|---------|
| AX10.033.105.A.SP | 86 mm | 46.5 mm |
| Replacement Flange cover | | |
| Weight: .097 kgs (.213 lbs) | | |
|  |  | |
|  | | |




| COD. | Ø | R | Ød |
|--------------------------|-------|-------|---------|
| AX10.033.023.A.SP | 70 mm | 12 mm | 42.4 mm |

Wall handrail support

Flat saddle sold separately for flat rail options

Weight:
.275 kgs (.605 lbs)

-  Quick# **250X** - 2 per location
- Quick# **540X** - 2 per location
- Quick# **855X** - 3 per location
- Page 68

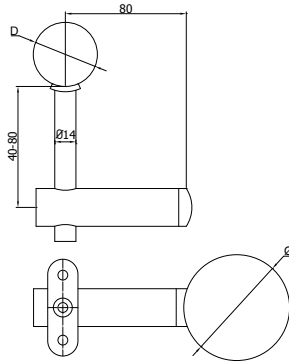




adjustable



for round post






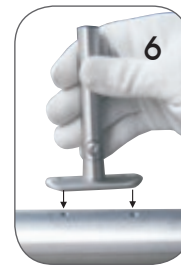
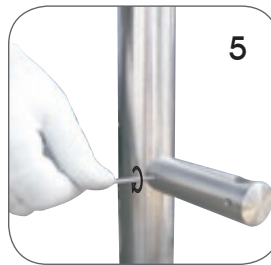
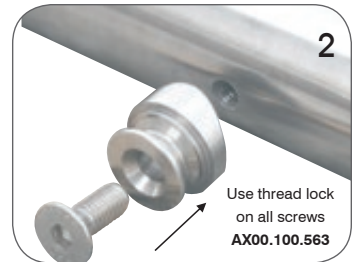
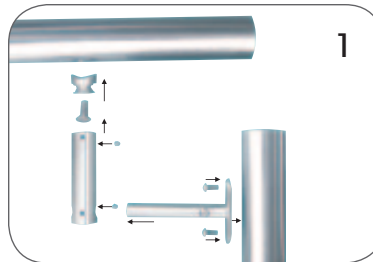
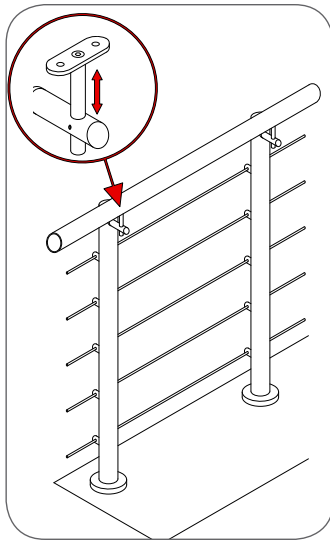
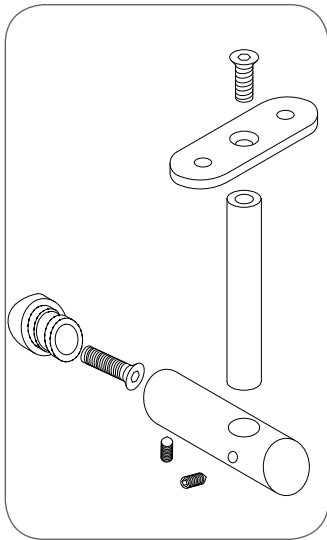
| COD. | Ø | Ød |
|--------------------------|---------|---------|
| AX10.033.025.A.SP | 42.4 mm | 42.4 mm |

Post handrail support

Flat saddle sold separately for flat rail options

Weight:
.457 kgs (1.01 lbs)

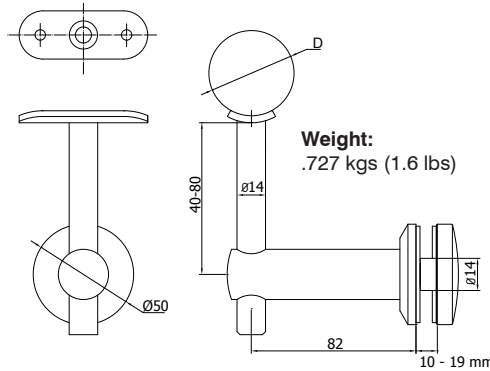
-  Quick# 250X - 2 per location
-  Quick# 540X - 2 per location
-  Quick# 260X - 1 per location
- Page 68



adjustable



for glass



Weight:
.727 kgs (1.6 lbs)

| COD. | Ød |
|--------------------------|---------|
| AX10.033.024.A.SP | 42.4 mm |

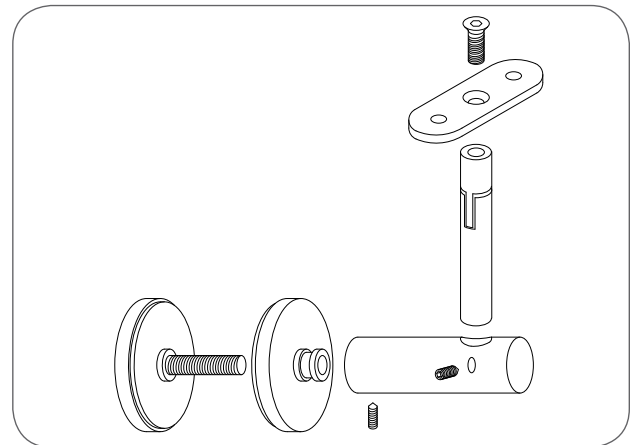
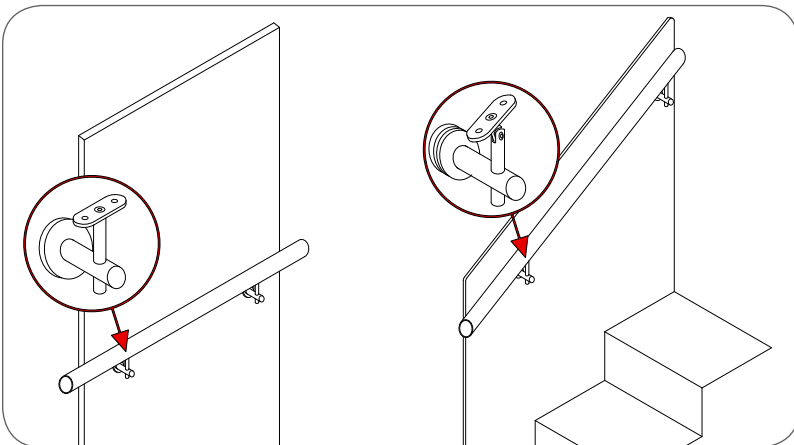
Glass handrail support

Flat saddle sold separately for flat rail options

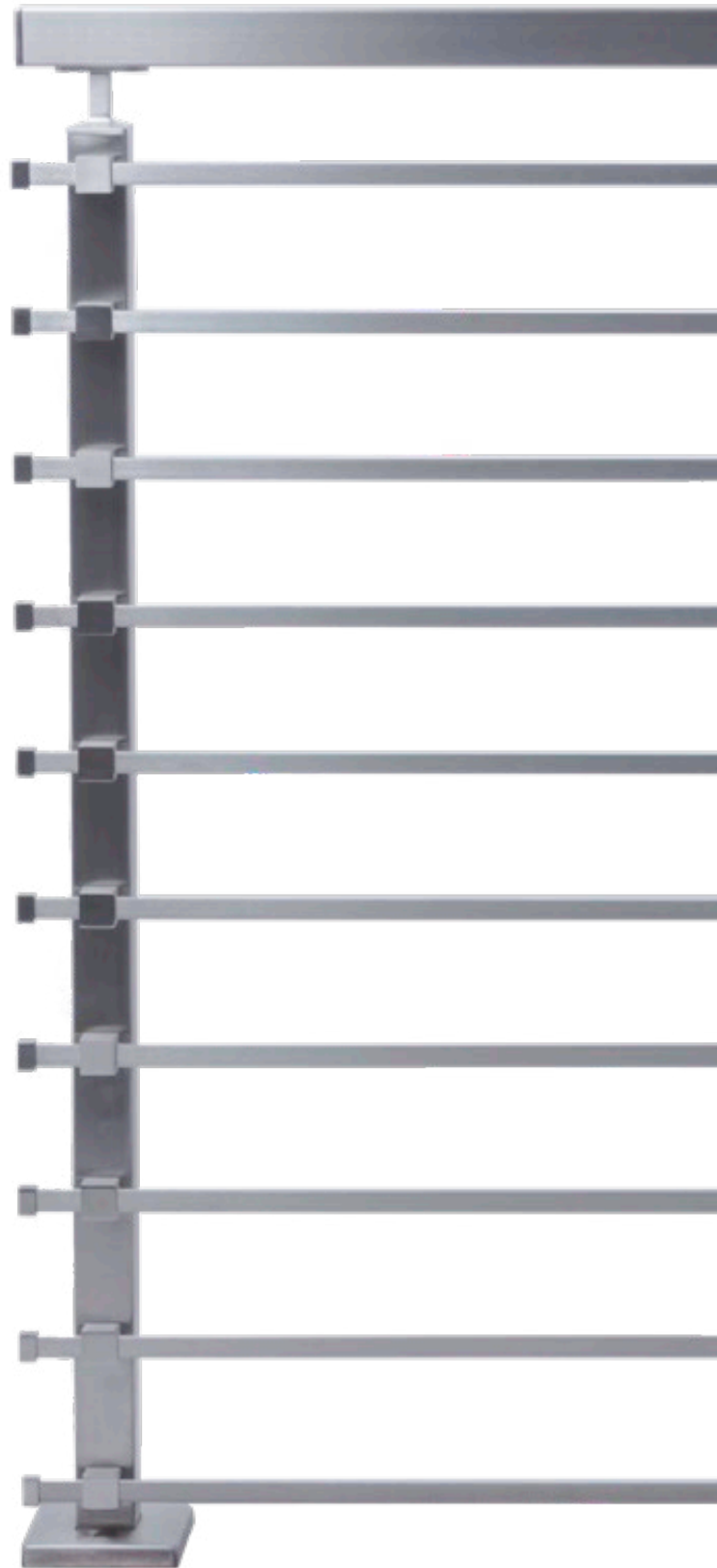
-  Quick# 250X, 540X
- Page 68
- 2 per location



For use on 12mm(1/2") tempered glass







| COD. | Ø | L |
|--------------------------|-----------|---------------|
| AX20.009.090.A.SP | 15 x 5 mm | 5800 mm (19') |

Flat bar infill

Weight:
3.02 kgs (6.64 lbs)




For information on cutting stainless steel
houseofforgings.net/axia-install-guides

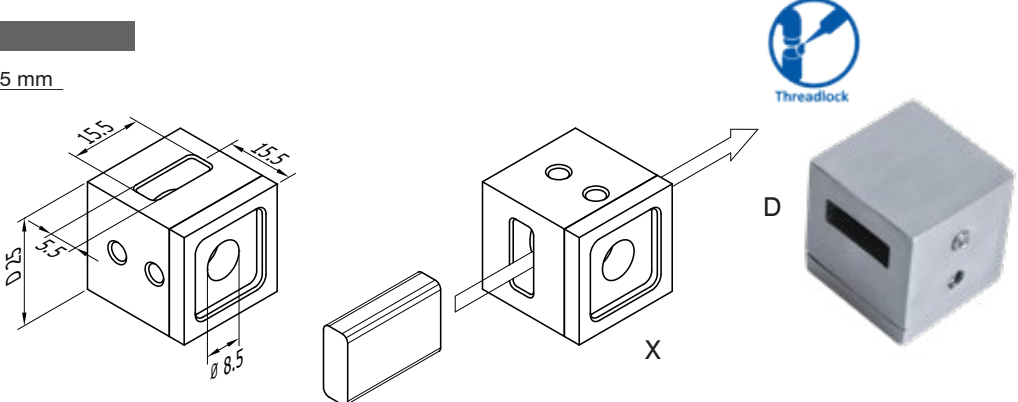
| COD. | X | D |
|--------------------------|------|-----------|
| AX20.010.093.A.SP | flat | 15 x 5 mm |

Bar holder

Weight:
.095 kgs (.209 lbs)

 Quick# 260X
Page 68

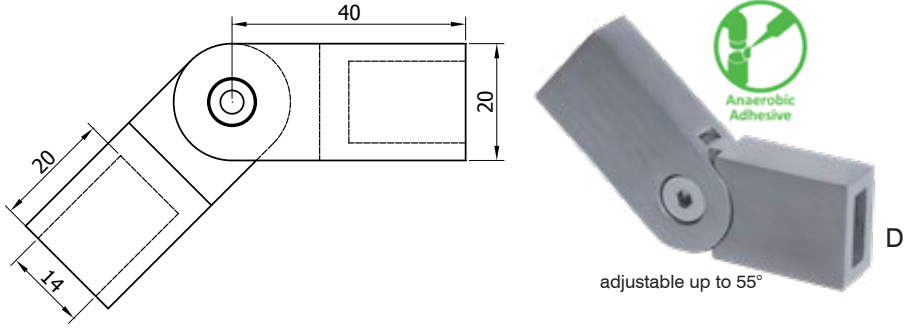
1 per location



| COD. | D |
|--------------------------|-----------|
| AX20.010.091.A.SP | 15 x 5 mm |

Adjustable connector

Weight:
.134 kgs (.294 lbs)

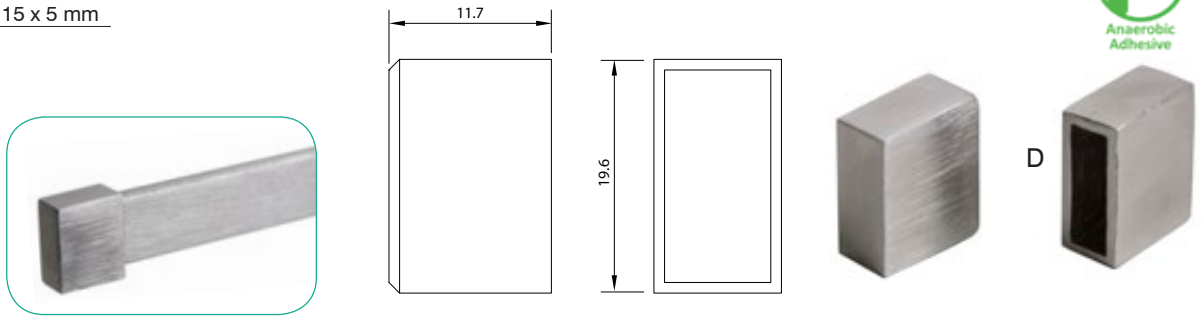


adjustable up to 55°

| COD. | D |
|--------------------------|-----------|
| AX20.010.092.A.SP | 15 x 5 mm |

End cap


Weight:
.014 kgs (.031 lbs)



| COD. | Ø | L |
|----------------------------|---------------|------------------|
| AX10.009.83000.A.SP | 12.0 x 1.5 mm | 3000 mm (9'-10") |
| AX10.009.85800.A.SP | 12.0 x 1.5 mm | 5800 mm (19') |

Round tube infill

Weight:
 1.1 kgs (2.42 lbs)
 2.11 kgs (4.64 lbs)



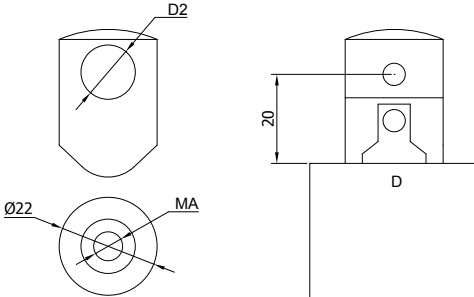

See recommended tools section for information on cutting stainless steel.
www.axiarailing.com/recommended-tools

| COD. | D | D2 | MA |
|--------------------------|------|-------|--------|
| AX10.010.205.A.SP | flat | 12 mm | 6.5 mm |

Round tube holder - flat

Weight:
 .053 kgs (.117 lbs)

Quick# 260X
 Page 68
 1 per location

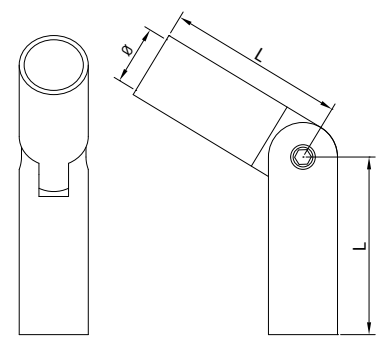




Threadlock

| COD. | Ø | L |
|--------------------------|------------|-------|
| AX10.010.082.A.SP | hole 12 mm | 30 mm |

Adjustable round tube connector

Weight:
 .03 kgs (.066 lbs)

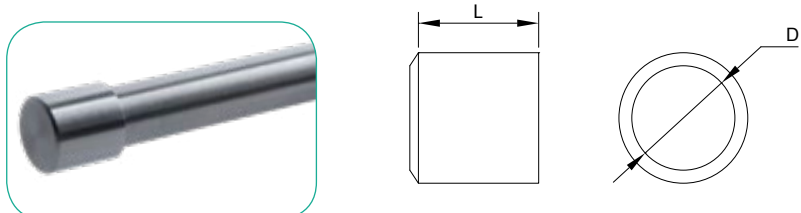




Anaerobic Adhesive
 ± 90° adjustable

| COD. | D | L |
|--------------------------|-------|-------|
| AX10.010.081.A.SP | 12 mm | 15 mm |

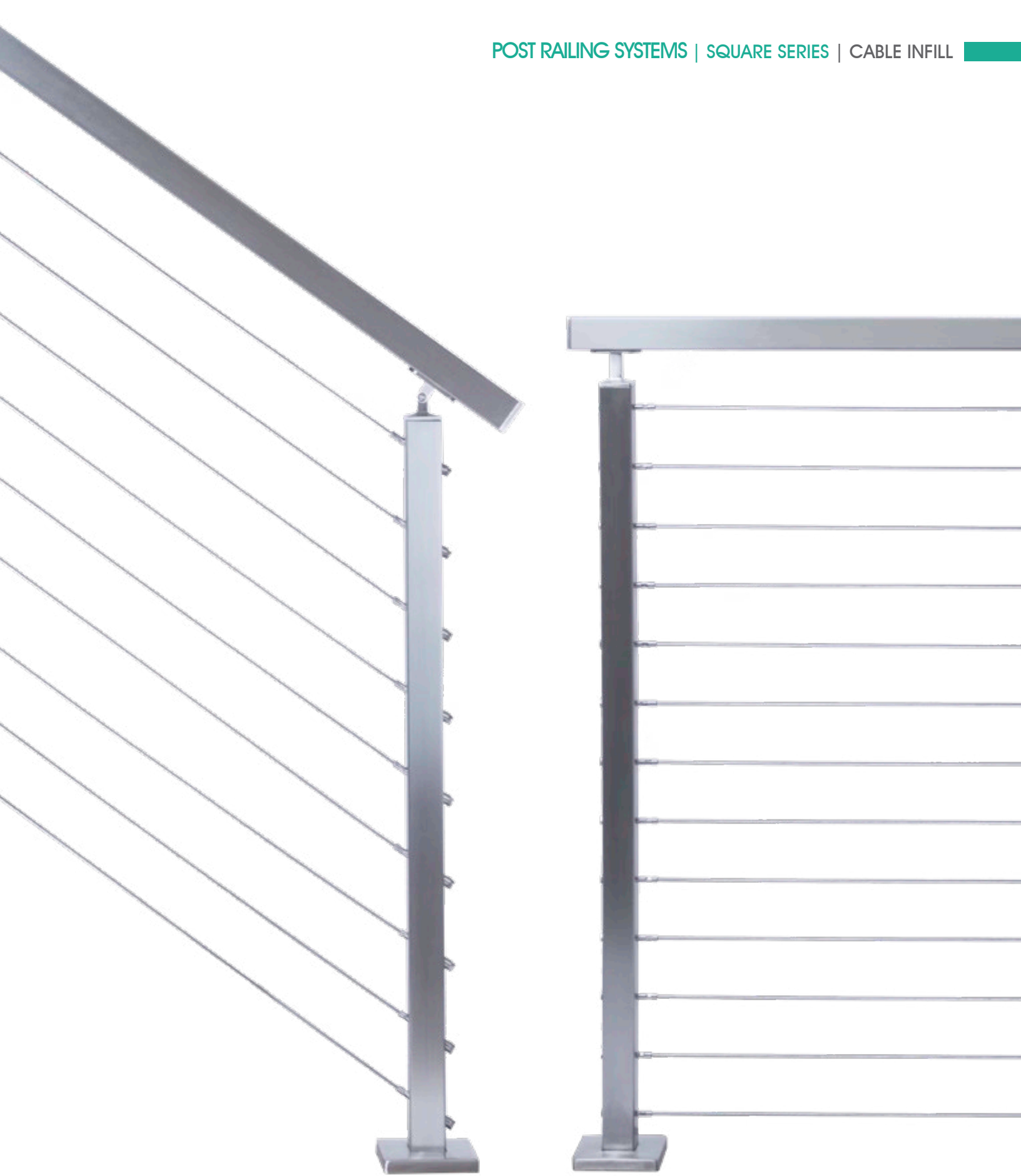
Round tube end cap

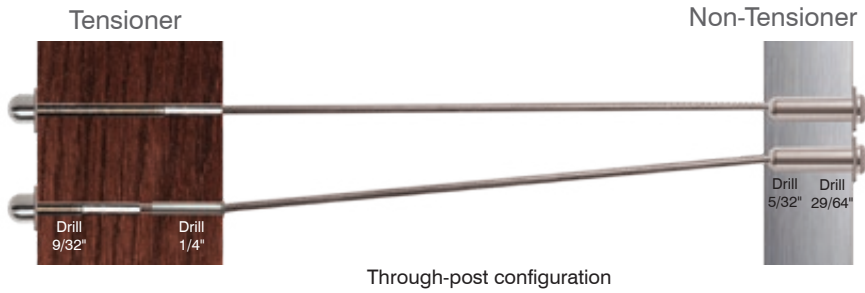
Weight:
 .011 kgs (.025 lbs)

Anaerobic Adhesive







Through-post configuration

Pre-assembled kit includes fittings and factory swaged cable in lengths 5'-25'

| COD. | L | Wt. |
|--------------|-----|---------------------|
| HFC18.102-5 | 5' | .15 kgs (.331 lbs) |
| HFC18.102-10 | 10' | .227 kgs (.5 lbs) |
| HFC18.102-15 | 15' | .303 kgs (.669 lbs) |
| HFC18.102-20 | 20' | .383 kgs (.844 lbs) |

Outside to outside
Level/balcony or angle/stair
Steel or wood posts

Drill Kit AX00.070.630
AX00.070.635 Page 70



Included in kit



ANSI 316

MINIMUM BREAKING STRENGTH - Cable Diameter 1/8" = 1,780 lbs.
1X19 STRAND TYPE 316 STAINLESS STEEL CABLE

1 x 19 Cable - 1/8" Diameter

Cable Cutter



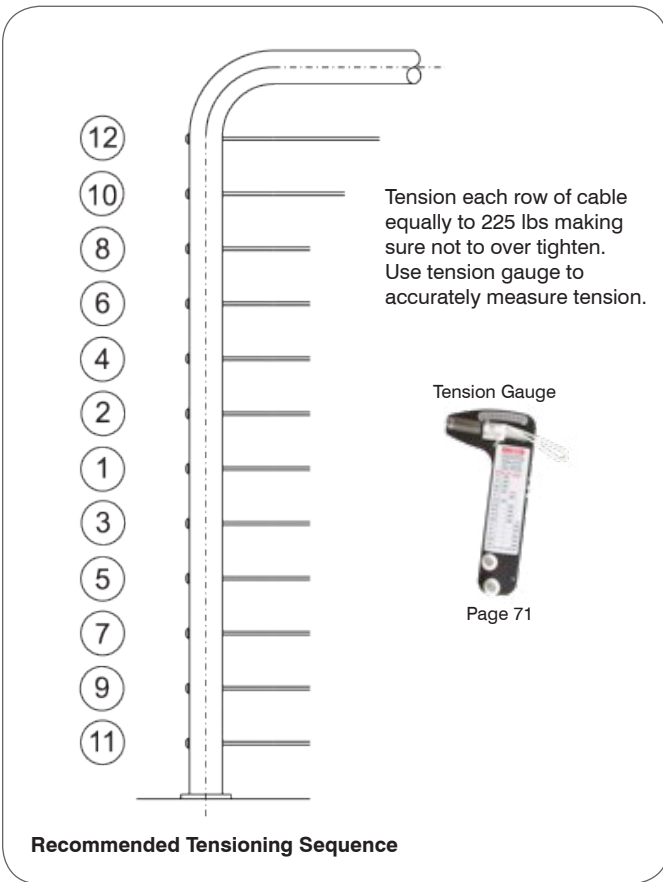
Page 71

Cable cut-off wheel



Page 71

Used to cut cable flush with the end of Pull-Lock fittings, and to cut excess threads of stud. Includes mandrel and two cut-off wheels.



EASY AS 1-2-3

1. What posts are you using? Wood or metal?
2. Measure your level and stair runs, calculate number of level and stair fittings.
3. Add up tensioners and non-tensioners, then calculate total cable footage (plus 5%).

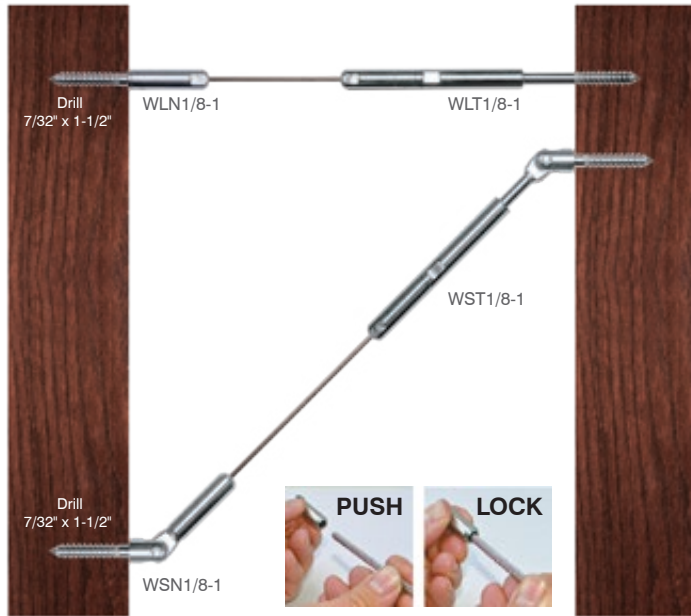
Push-Lock®
Fittings

Push-Block fittings do not require any special tools for installation. Simply push the cable into the fitting and it locks.



Non-Tensioner

Tensioner



Surface-mount configuration

For use with 1/8" cable

| COD. | Description | Wt. |
|------------------|-----------------------------------|--------------------|
| WLN1/8-1 | Wood Level Non Tensioner | .04 kgs (.092 lbs) |
| WLN1/8-10 | Wood Level Non Tensioner(10 pack) | .31 kgs (.693 lbs) |
| WLT1/8-1 | Wood Level Tensioner | .07 kgs (.173 lbs) |
| WLT1/8-10 | Wood Level Tensioner(10 pack) | .68 kgs (1.5lbs) |
| WSN1/8-1 | Wood Stair Non Tensioner | .06 kgs (.135 lbs) |
| WSN1/8-10 | Wood Stair Non Tensioner(10 pack) | .5 kgs (1.12 lbs) |
| WST1/8-1 | Wood Stair Tensioner | .09 kgs (.217 lbs) |
| WST1/8-10 | Wood Stair Tensioner(10 pack) | .88 kgs (1.94 lbs) |

Inside to inside
Level/balcony or angle/stair
Wood posts

Cable Cutter

Driver

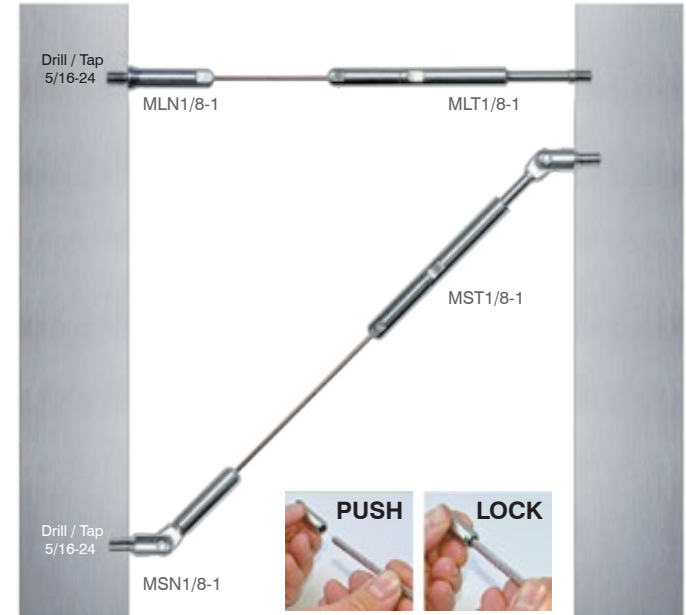


Page 71

Drill Kit **AX00.070.625**
Page 70

Non-Tensioner

Tensioner



Surface-mount configuration

For use with 1/8" cable

| COD. | Description | Wt. |
|------------------|------------------------------------|---------------------|
| MLN1/8-1 | Metal Level Non Tensioner | .04 kgs (.087 lbs) |
| MLN1/8-10 | Metal Level Non Tensioner(10 pack) | .29 kgs (.638lbs) |
| MLT1/8-1 | Metal Level Tensioner | .07 kgs (.158 lbs) |
| MLT1/8-10 | Metal Level Tensioner(10 pack) | .61 kgs (1.349 lbs) |
| MSN1/8-1 | Metal Stair Non Tensioner | .05 kgs (.118 lbs) |
| MSN1/8-10 | Metal Stair Non Tensioner(10 pack) | .6 kgs (1.349 lbs) |
| MST1/8-1 | Metal Stair Tensioner | .09 kgs (.202 lbs) |
| MST1/8-10 | Metal Stair Tensioner(10 pack) | .81 kgs (1.793 lbs) |

Inside to inside
Level/balcony or angle/stair
Metal posts

Cable Cutter



Page 71

Drill Kit **AX00.070.650**
AX00.070.645 Page 70



AISI 316

| COD. | Description | Wt. |
|---------------------|---|----------------------|
| UTCABLE100-4 | 100' coil - 1/8" 1X19 type 316 S/S cable | 2.07 kgs (4.56 lbs) |
| UTCABLE500-4 | 500' spool - 1/8" 1X19 type 316 S/S cable | 10.02 kgs (22.1 lbs) |

1x19 Cable(1/8" 316)

MINIMUM BREAKING STRENGTH - Cable Diameter 1/8" = 1,780 lbs.
1X19 STRAND TYPE 316 STAINLESS STEEL CABLE



Through-post configuration

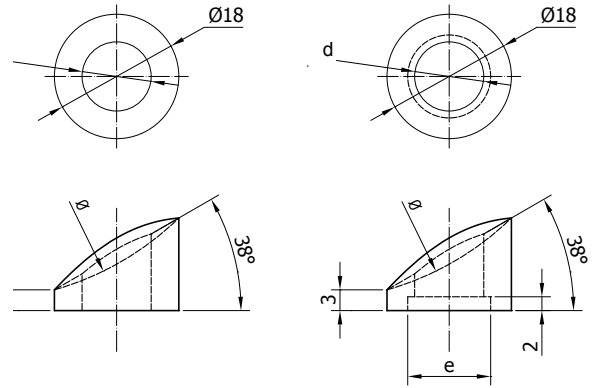


AISI 316

| COD. | d | Ø | e |
|--------------------------|-------|---------|------------|
| AX20.060.245.B.SP | 12 mm | 42.4 mm | 14 mm FLAT |

Sloping washer

Weight:
.006 kgs (.013 lbs)



Recommended for runs over 25'

AISI 316

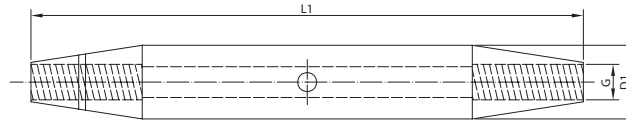


For use with 4mm cable

| COD. | G | L1 | D1 | kg/100 |
|--------------------------|----|------|------|--------|
| AX00.050.235.B.SP | M6 | 65.0 | 10.0 | 1.7 |

Middle-tensioning body

Weight:
.025 kgs (.055 lbs)



Requires use of left and right hand cable terminal studs (not included).

Right hand
AX00.050.220DX.B.SP

Left hand
AX00.050.221SX.B.SP

Through-post configuration



AISI 316



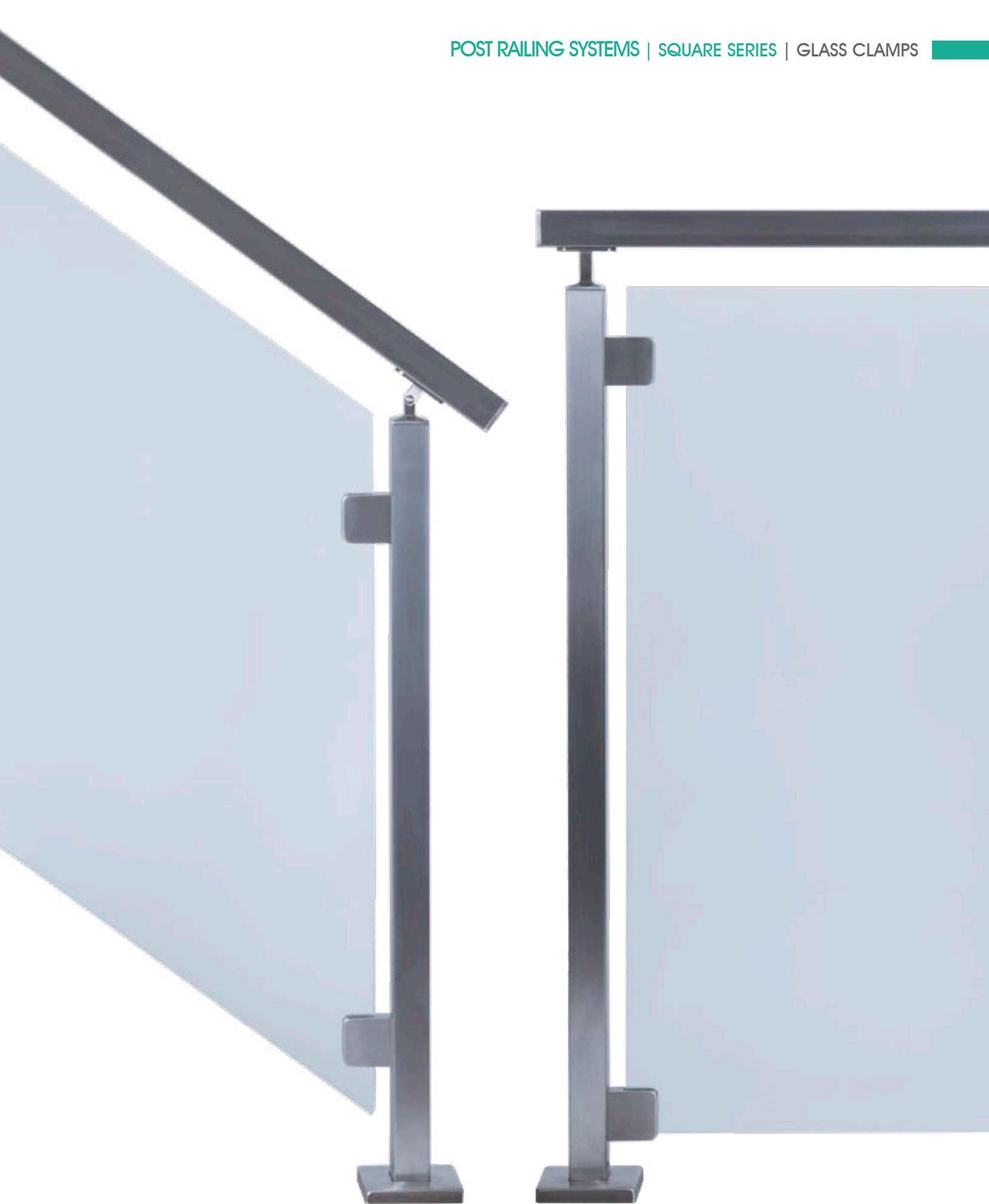
Available in 328' spool

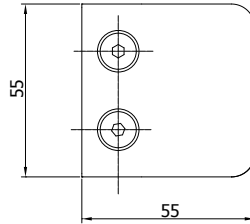
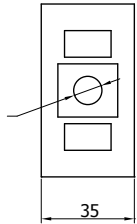
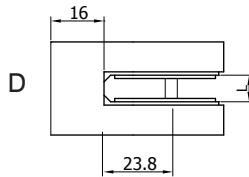
| COD. | Description |
|-------------------------|---|
| AX00.040.215.B.M | 328' Spool - 4 mm 1X19 type 316 S/S cable |

1x19 Cable - Bulk(4MM 316)

Weight:
8.5 kgs (18.73 lbs)







Note: All glass on stairways and balconies are considered a hazardous location and requires the use of tempered glass.

Note: Refer to page 16 for installation information

Swift plate and safety pin included

Note: Safety pin or swift plate can be used to support glass.

| COD. | D | L |
|--------------------------|------|---------------|
| AX20.014.190.A.SP | flat | 10 - 12.76 mm |

Glass clamps for flat posts

Weight:
.328 kgs (.727 lbs)

Rubber inserts not included
Available for 3/8" & 1/2" monolithic glass

Quick# 255X, 830X
Page 68

1 per location



sold in pairs

| COD. | T |
|-----------------------|----------------------|
| AX20.014.191.R | 10 mm for 3/8" glass |
| AX20.014.192.R | 12 mm for 1/2" glass |

Glass clamp inserts

T - indicates glass thickness

Weight:
.009 kgs (.02 lbs)



| COD. | Size | ØD |
|--------------------------|------|---------|
| AX00.090.266.A.SP | M5 | 6.9 mm |
| AX00.090.267.A.SP | M6 | 8.9 mm |
| AX00.090.269.A.SP | M8 | 10.9 mm |

Pop rivets - threaded inserts

Weight:
.0018 kgs (.004 lbs)
.0027 kgs (.006 lbs)
.0045 kgs (.01 lbs)

Provides stronger connection for all system screws:
handrail, bar holders and glass clamps
No tapping Required

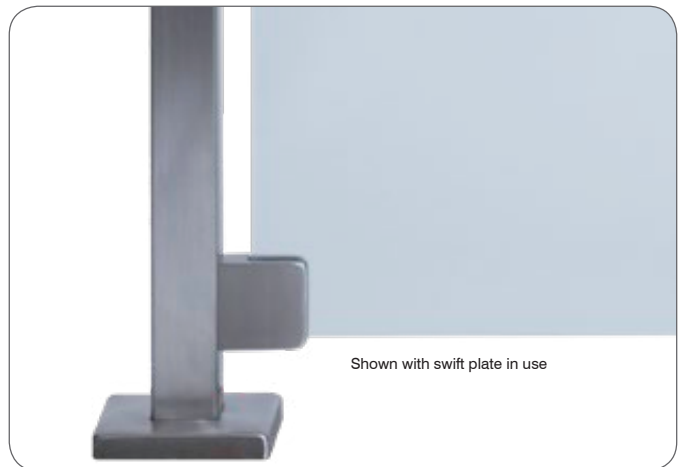
Quick# 250X, 255X,
260X Page 68

Sold individually



Pop rivet tool

Page 72



| COD. | Ø | ØBase | | COD. | H | Ø | Wt. |
|--------------------------|----------------|--------------|--|-------------------|-----|-----------------|------------------|
| AX20.001.010.A.SP | 40 x 40 x 2 mm | 100 x 100 mm | | RO-4000 | 54" | 3-1/4" x 3-1/4" | 6.8 kgs (15 lbs) |
| | | | | RO-4923-41 | 41" | 1-3/4" x 1-3/4" | .907 kgs (2 lbs) |

| COD. | H | Ø | Wt. |
|------------------------|----|-----------------|--------------------|
| S-9403, S-9401 | | | |
| Page 70 | | | |
| 1 per location | | | |
| SQUARE-CAP-4000 | 2" | 3-1/4" x 3-1/4" | .261 kgs (.57 lbs) |

| COD. | H | Ø | Wt. |
|------------------------|----|-----------------|--------------------|
| S-9403, S-9401 | | | |
| Page 70 | | | |
| 1 per location | | | |
| SQUARE-CAP-4000 | 2" | 3-1/4" x 3-1/4" | .261 kgs (.57 lbs) |

Square post

Weight:
3.03 kgs (6.66 lbs)

Quick# 800X, 805X
Page 68

2 per location

Flange cover included

Clear Silicone

See recommended tools section for information on cutting stainless steel.
www.axiarailing.com/recommended-tools

Wood posts

S-9403, S-9401
Page 70

1 per location

Post cap

Red Oak

| COD. | Ø | D |
|--------------------------|--------|----------------|
| AX20.003.012.A.SP | 105 mm | 42.5 x 42.5 mm |

Replacement flange cover

Weight:
.147 kgs (.323 lbs)

| COD. | Ø |
|--------------------------|----------------|
| AX20.001.011.A.SP | 40 x 40 x 2 mm |

Wall mount

Quick# 900X, 905X
Page 68

Weight:
.727 kgs (1.6 lbs)

2 per location

Note: Use square tube handrail for post (Page 42)

AX20.004.071.3000.A.SP
AX20.004.070.5800.A.SP

| COD. | Ø | D |
|-------------------------|----------------|---|
| AX20.001.013.D.M | 40 x 40 x 2 mm | |

Core mount

Weight:
.615 kgs (1.35 lbs)

For installation guidelines see page 18.

Anaerobic Adhesive


Epoxy

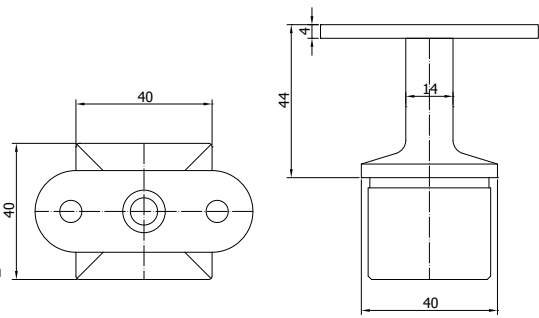
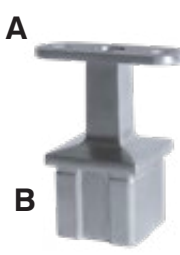


up to 40 degrees


Quick# 900X, 905X
Page 68

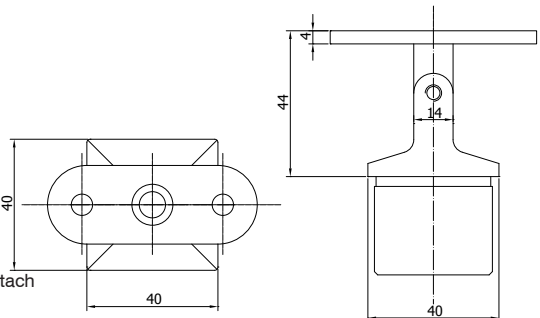
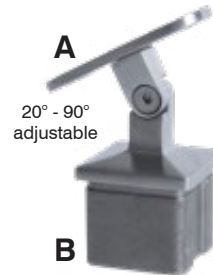


Angled flange cover - core mount


Weight:
2.36 kgs (5.2 lbs)


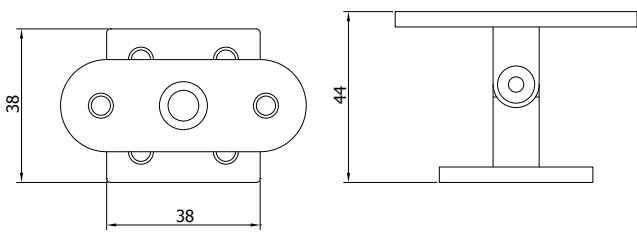


| COD. | A | B |
|--|------|----------------|
| AX20.005.030.A.SP | flat | 40 x 40 x 2 mm |
| Post handrail support | | |
| Weight: .235 kgs (.517 lbs) | | |
|  Option: Use M5 pop rivets to attach handrail AX00.090.266.A.SP | | |
| 2 per location | | |


| COD. | A | B |
|--|------|----------------|
| AX20.005.031.A.SP | flat | 40 x 40 x 2 mm |
| Adjustable post handrail support | | |
| Weight: .202 kgs (.444 lbs) | | |
|  Option: Use M5 pop rivets to attach handrail AX00.090.266.A.SP | | |
| 2 per location | | |

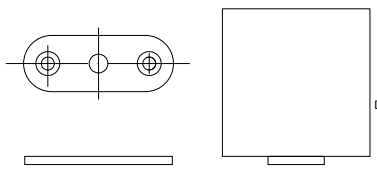







| COD. | A | B |
|--|------|----------------|
| HF17.4001 | flat | 38 x 38 x 2 mm |
| Adjustable wood post handrail support | | |
| Weight: .181 kgs (.4 lbs) | | |
|  Option: Use M5 pop rivets to attach handrail AX00.090.266.A.SP | | |
| 2 per location | | |

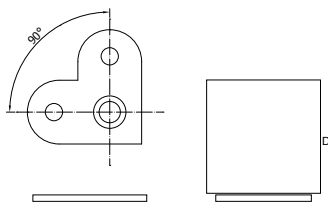






wood hardware included
no threadlock required for wood rail

| COD. | D |
|--|------|
| AX10.005.025.A.SP | flat |
| Saddle | |
| Weight: .035 kgs (.077 lbs) | |
|  2 per location | |

| COD. | D |
|--|------|
| AX20.005.032.A.SP | flat |
| Saddle - 90 degree | |
| Weight: .036 kgs (.079 lbs) | |
|  2 per location | |

| COD. | Ø | L | Wt. |
|-------------------------------|----------------|------------------|---------------------|
| AX20.004.071.3000.A.SP | 40 x 40 x 2 mm | 3000 mm (9'-10") | 7.5 kgs (16.5 lbs) |
| AX20.004.070.5800.A.SP | 40 x 40 x 2 mm | 5800 mm (19') | 14.5 kgs (31.9 lbs) |

Square tube handrail/post



See recommended tools section for information on cutting stainless steel. www.axiarailing.com/recommended-tools

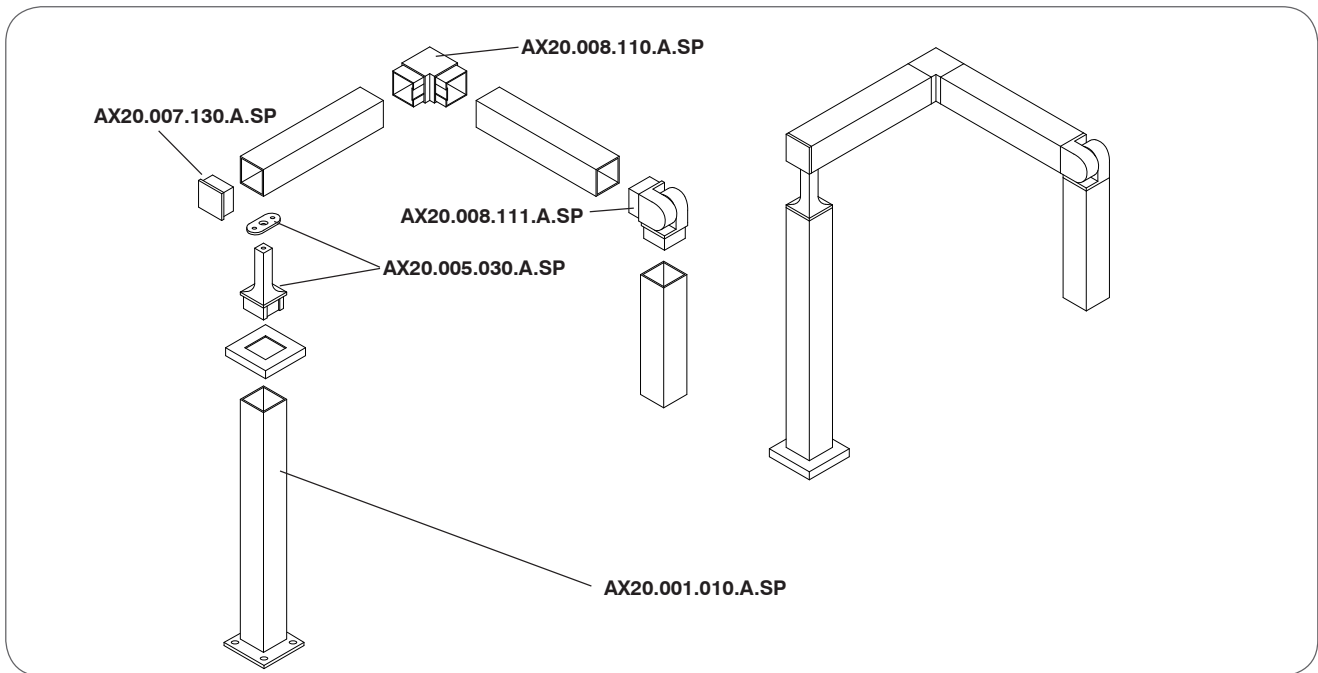
| COD. | Ø | L | Wt. |
|-------------------|-----------------|-----|--------------------|
| RO-6084-20 | 2-5/8" x 1-5/8" | 20' | 13.61 kgs (30 lbs) |
| RO-6084-18 | 2-5/8" x 1-5/8" | 18' | 12.25 kgs (27 lbs) |
| RO-6084-16 | 2-5/8" x 1-5/8" | 16' | 10.89 kgs (24 lbs) |
| RO-6084-14 | 2-5/8" x 1-5/8" | 14' | 9.53 kgs (21 lbs) |
| RO-6084-12 | 2-5/8" x 1-5/8" | 12' | 8.16 kgs (18 lbs) |
| RO-6084-10 | 2-5/8" x 1-5/8" | 10' | 6.8 kgs (15 lbs) |
| RO-6084-8 | 2-5/8" x 1-5/8" | 8' | 5.44 kgs (12 lbs) |
| RO-6084-6 | 2-5/8" x 1-5/8" | 6' | 4.08 kgs (9 lbs) |
| RO-6084-4 | 2-5/8" x 1-5/8" | 4' | 2.72 kgs (6 lbs) |
| RO-6002-20 | 2-3/4" x 1-5/8" | 20' | 13.61 kgs (30 lbs) |
| RO-6002-16 | 2-3/4" x 1-5/8" | 16' | 10.89 kgs (24 lbs) |
| RO-6002-8 | 2-3/4" x 1-5/8" | 8' | 5.44 kgs (12 lbs) |
| RO-6060-16 | 2" x 1-1/16" | 16' | 3.63 kgs (8 lbs) |
| RO-6060-8 | 2" x 1-1/16" | 8' | 1.81 kgs (4 lbs) |



Red Oak

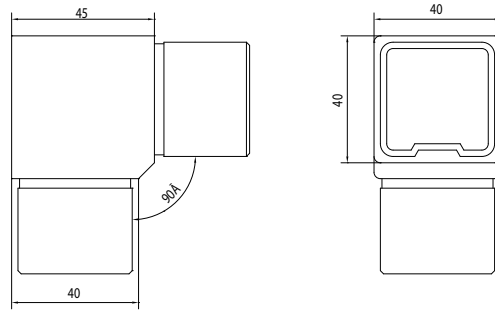
Additional species available by special order

Wood Handrail - Red Oak





Anaerobic Adhesive



COD. \emptyset

AX20.008.110.A.SP 40 x 40 x 2 mm

90 Degree elbow

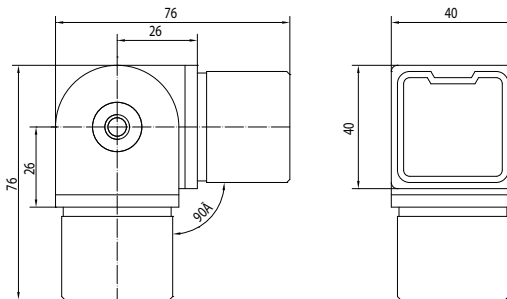
Weight:
.037 kgs (.184 lbs)



Anaerobic Adhesive



$\pm 90^\circ$ adjustable



COD. \emptyset

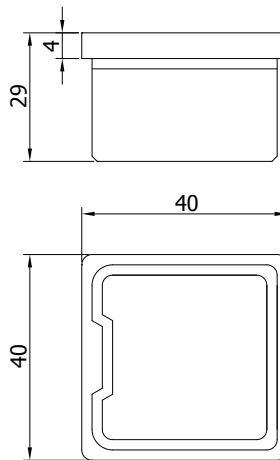
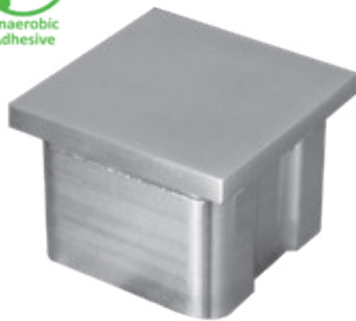
AX20.008.111.A.SP 40 x 40 x 2 mm

Adjustable ± 90 degree elbow

Weight:
.546 kgs (1.2 lbs)



Anaerobic Adhesive



COD. \emptyset

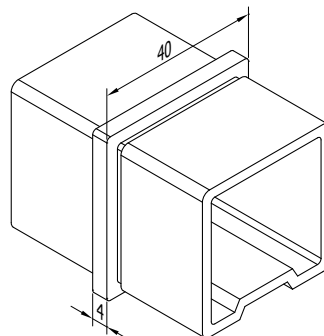
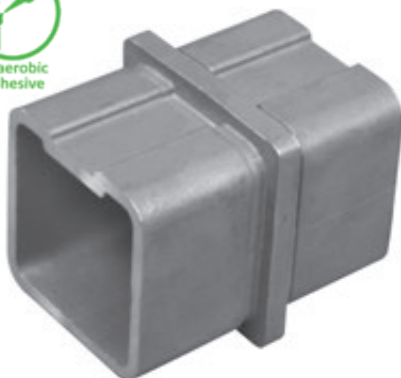
AX20.007.130.A.SP 40 x 40 x 2 mm

End cap

Weight:
.1 kgs (.22 lbs)



Anaerobic Adhesive

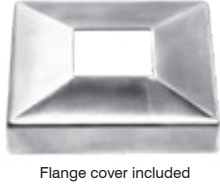


COD. \emptyset

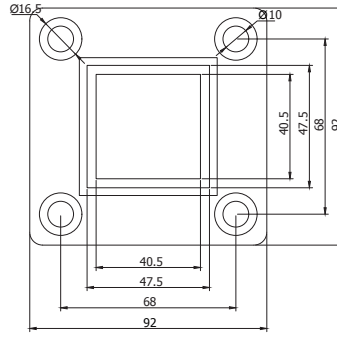
AX20.008.112.A.SP 40 x 40 x 2 mm

Connector

Weight:
.155 kgs (.341 lbs)



Flange cover included



COD. Ø

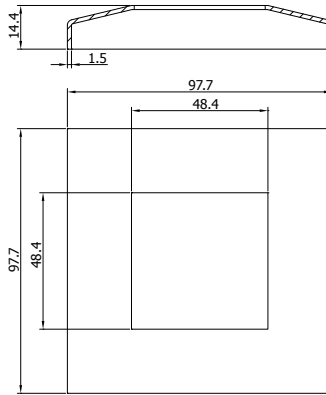
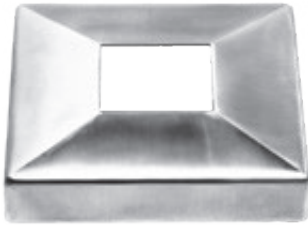
AX20.008.150.A.SP 40 x 40 x 2 mm

Wall mount flange

Weight:
.578 kgs (1.27 lbs)



4 per location

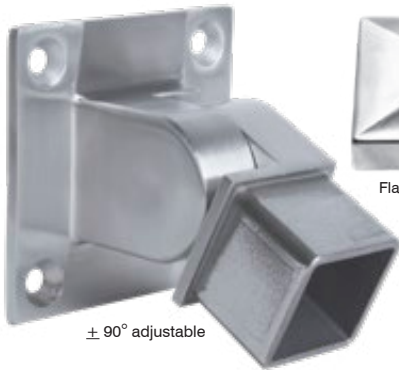


COD. Ø

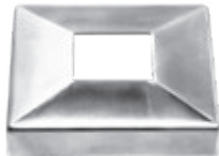
AX20.008.151.A.SP 40 x 40 x 2 mm

Replacement cover for wall mount flange

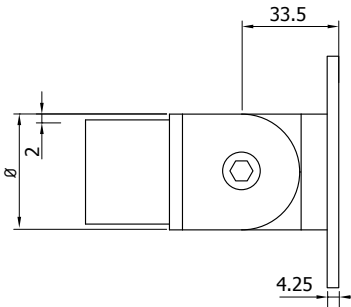
Weight:
.108 kgs (.238 lbs)



± 90° adjustable



Flange cover included

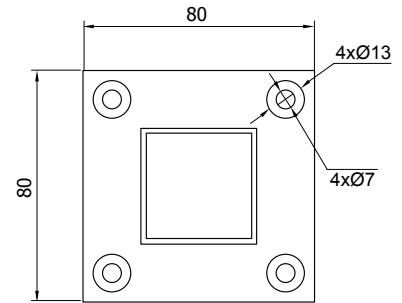


COD. Ø

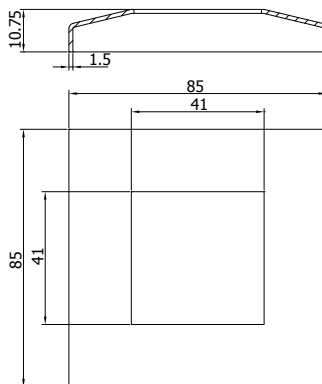
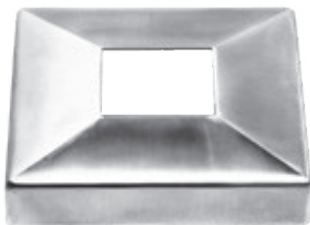
AX20.008.152.A.SP 40 x 40 x 2 mm

Adjustable wall mount flange

Weight:
.794 kgs (1.75 lbs)



4 per location



COD. Ø

AX20.008.153.A.SP 40 x 40 x 2 mm

Replacement cover for adjustable wall mount flange

Weight:
.078 kgs (.172 lbs)

COD. D

AX20.005.033.A.SP flat

Wall handrail support

Weight:
.328 kgs (.722 lbs)

Quick# 250X, 540X, 855X
Page 68

2 per location

COD. D

HF17.4002 flat

Wall handrail support

Weight:
.328 kgs (.722 lbs)

Quick# 250X, 540X
Page 68

2 per location

COD. D

AX20.005.035.A.SP flat

Post handrail support

Weight:
.375 kgs (.825 lbs)

Quick# 250X - 2 per location
Quick# 540X - 2 per location
Quick# 260X - 1 per location
Page 68

COD. D

AX20.005.034.A.SP flat

Glass handrail support

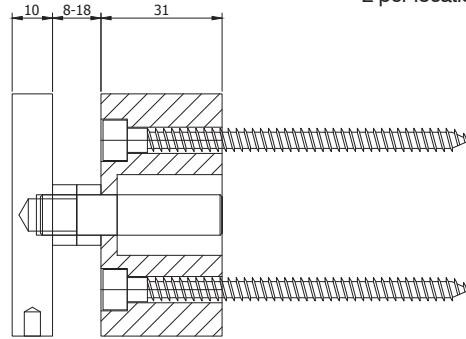
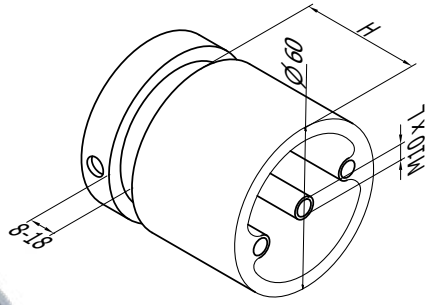
Weight:
.623 kgs (1.37 lbs)

Quick# 250X, 540X
Page 68

2 per location







| COD. | H | Glass Thickness |
|------|---|-----------------|
|------|---|-----------------|

AX30.017.040.A.SP 30.1 mm 8-18 mm

Glass standoff - round

Weight:
.543 kgs (1.17 lbs)

Quick# 900X, 905X
Page 68
2 per location



| COD. | Thickness |
|------|-----------|
|------|-----------|

AX30.017.042.F 1.25 mm

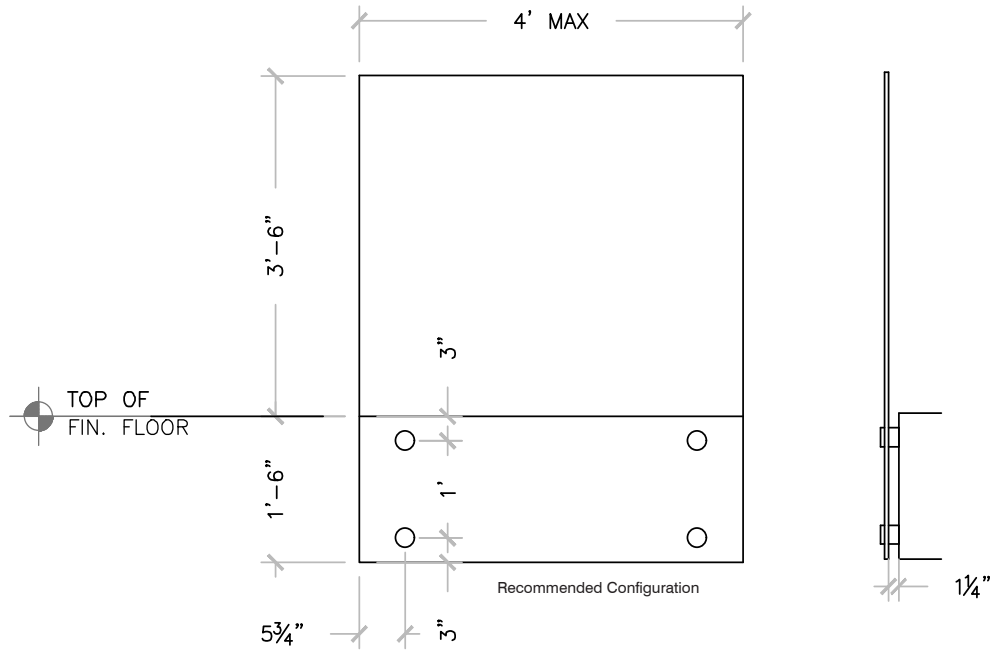
Glass leveling shim - round

Weight:
.011 kgs (.024 lbs)

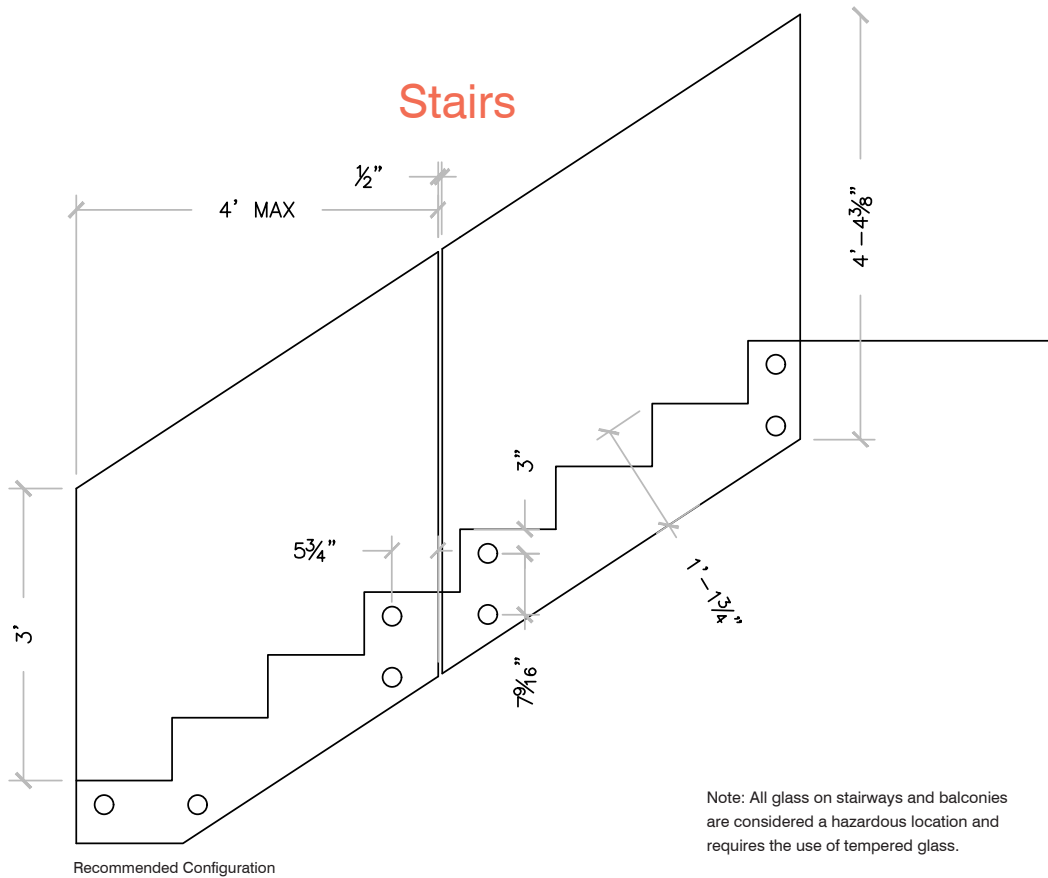
Note: Stack shims as needed to make glass plumb/level



Balcony



Stairs



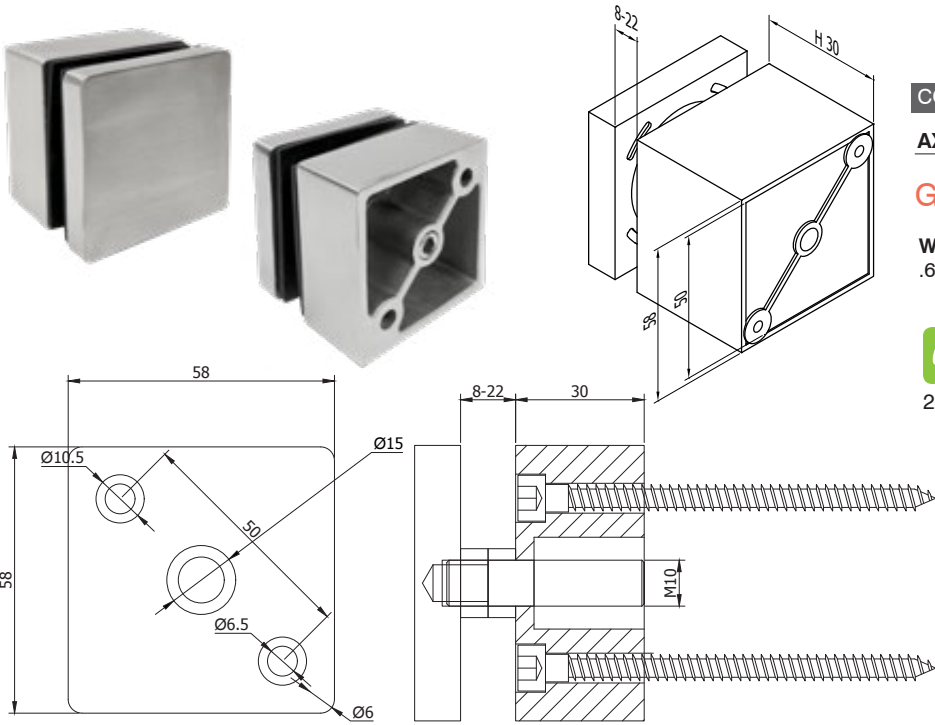
Cap rail required on glass for stairs to meet IRC code and recommended for balconies.
Check your local municipality for requirements

Note: All glass on stairways and balconies are considered a hazardous location and requires the use of tempered glass.

Note: Use flat polished edges on glass with radius or bumped corners when ordering glass from your glass supplier. All railing requires the use of tempered glass.





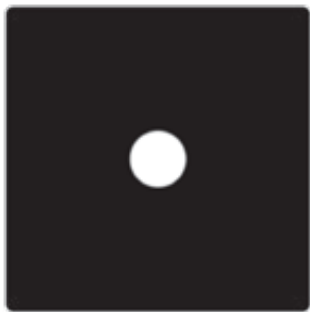
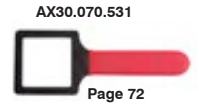


| COD. | H | Glass Thickness |
|-------------------|-------|-----------------|
| AX30.017.041.A.SP | 30 mm | 8.76 - 21.52 mm |

Glass standoff - square

Weight:
.649 kgs (1.43 lbs)

Quick# 900X, 905X
Page 68
2 per location



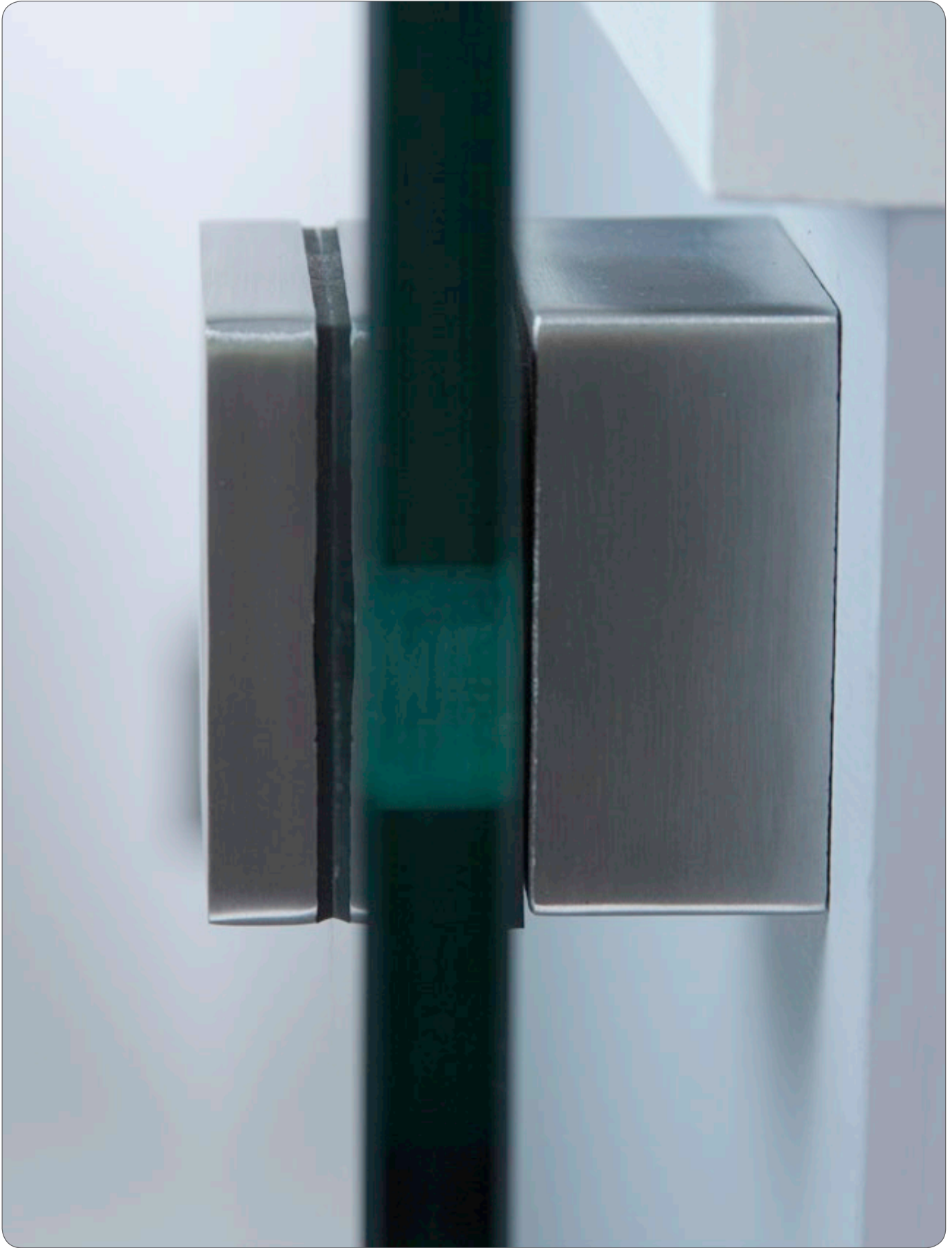
| COD. | Thickness |
|----------------|-----------|
| AX30.017.043.F | 1.25 mm |

Glass leveling shim - square

Weight:
.013 kgs (.029 lbs)

Note: Stack shims as needed to make glass plumb/level











Floor mount



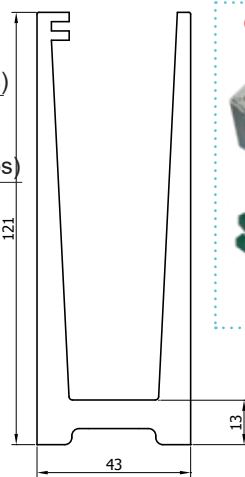
Wall mount

| COD. | dim. | L. | Wt. |
|--|-------------|------------------|-----------------------|
| AX40.020.050.D.M | 121 x 43 mm | 5000 mm (16'-4") | 24.59 kgs (54.78lbs) |
| Requires 2 glass gasket & wedge kits - Requires 25 anchors | | | |
| AX40.020.051.D.M | 121 x 43 mm | 2500 mm (8'-2") | 12.45 kgs (27.39 lbs) |
| Requires 1 glass gasket & wedge kit - Requires 13 anchors | | | |


Floor mount profile  Quick# 880X, 885X Page 68




Satin Aluminum finish




C (10 pcs.)




B (2.5m)



D (10 pcs.)



E (2.5m)




See recommended tools section for information on cutting stainless steel. www.axiarailing.com/recommended-tools

For use with up to 3/4" glass. Gasket will only fit 1/2" glass. When using 3/4" glass Bronze Sealant is required to seal U channel to glass.

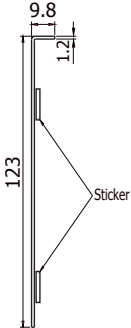
| COD. | dim. | L. | Wt. |
|--------------------------|--------|---------|---------------------|
| AX40.024.279.A.SP | 123 mm | 2500 mm | 3.62 kgs (7.96 lbs) |

Stainless steel cladding for floor profile


See recommended tools section for information on cutting stainless steel. www.axiarailing.com/recommended-tools




self adhesive



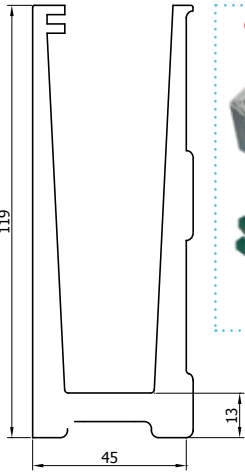
| COD. | dim. | L. | Wt. |
|--|-------------|------------------|-----------------------|
| AX40.020.052.D.M | 119 x 45 mm | 5000 mm (16'-4") | 25.52 kgs (56.14 lbs) |
| Requires 2 glass gasket & wedge kits - Requires 19 anchors | | | |
| AX40.020.053.D.M | 119 x 45 mm | 2500 mm (8'-2") | 12.76 kgs (28.07 lbs) |
| Requires 1 glass gasket & wedge kit - Requires 10 anchors | | | |

Wall mount profile  Quick# 880X, 885X Page 68




AX40.020.055.D.SP
Hole plugs
For use when cladding will not be installed


Satin Aluminum finish




C (10 pcs.)




B (2.5m)



D (10 pcs.)



E (2.5m)




For use with up to 3/4" glass. Gasket will only fit 1/2" glass. When using 3/4" glass Bronze Sealant is required to seal U channel to glass.

See recommended tools section for information on cutting stainless steel. www.axiarailing.com/recommended-tools

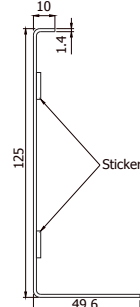
| COD. | dim. | L. | Wt. |
|--------------------------|--------|-----------------|---------------------|
| AX40.024.280.A.SP | 122 mm | 2500 mm (8'-2") | 3.62 kgs (7.96 lbs) |

Stainless steel cladding for wall profile

See recommended tools section for information on cutting stainless steel. www.axiarailing.com/recommended-tools



self adhesive



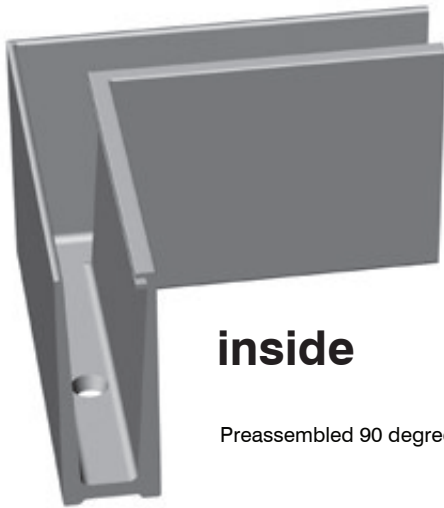
COD.

AX40.021.285.R

Glass gasket & wedge kit

Wedge kits are not included with U Channel
This part is sold separately

Weight:
1.41 kgs (3.11 lbs)

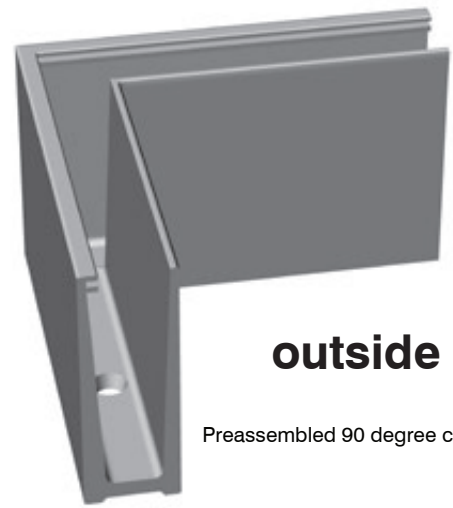


inside

Preassembled 90 degree corner

Floor profile

 Quick# 880X, 885X
Page 68
2 per location



outside

Preassembled 90 degree corner

| COD. | dim. | L. |
|------|------|----|
|------|------|----|

| | | |
|--|---------------------------------------|--------|
| AX40.023.272.D.M | 120 x 45 mm | 200 mm |
| Requires 2 anchors | | |
| Inside corner for floor profile | Weight: 1.75 kgs (3.85 lbs) | |

| COD. | dim. | L. |
|------|------|----|
|------|------|----|

| | | |
|---|---------------------------------------|--------|
| AX40.023.274.D.M | 120 x 45 mm | 200 mm |
| Requires 2 anchors | | |
| Outside corner for floor profile | Weight: 1.75 kgs (3.85 lbs) | |

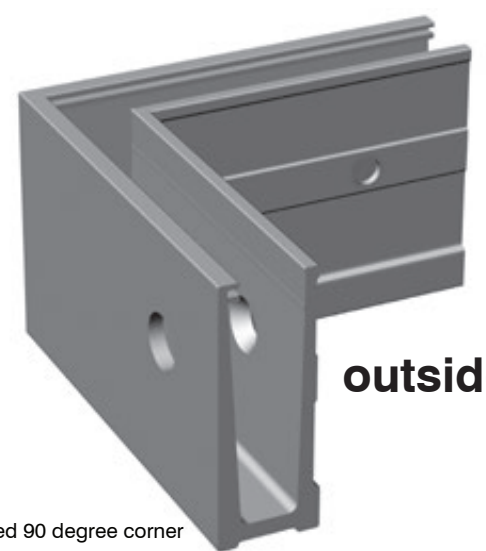


inside

Preassembled 90 degree corner

Wall profile

 Quick# 880X, 885X
Page 68
2 per location



outside

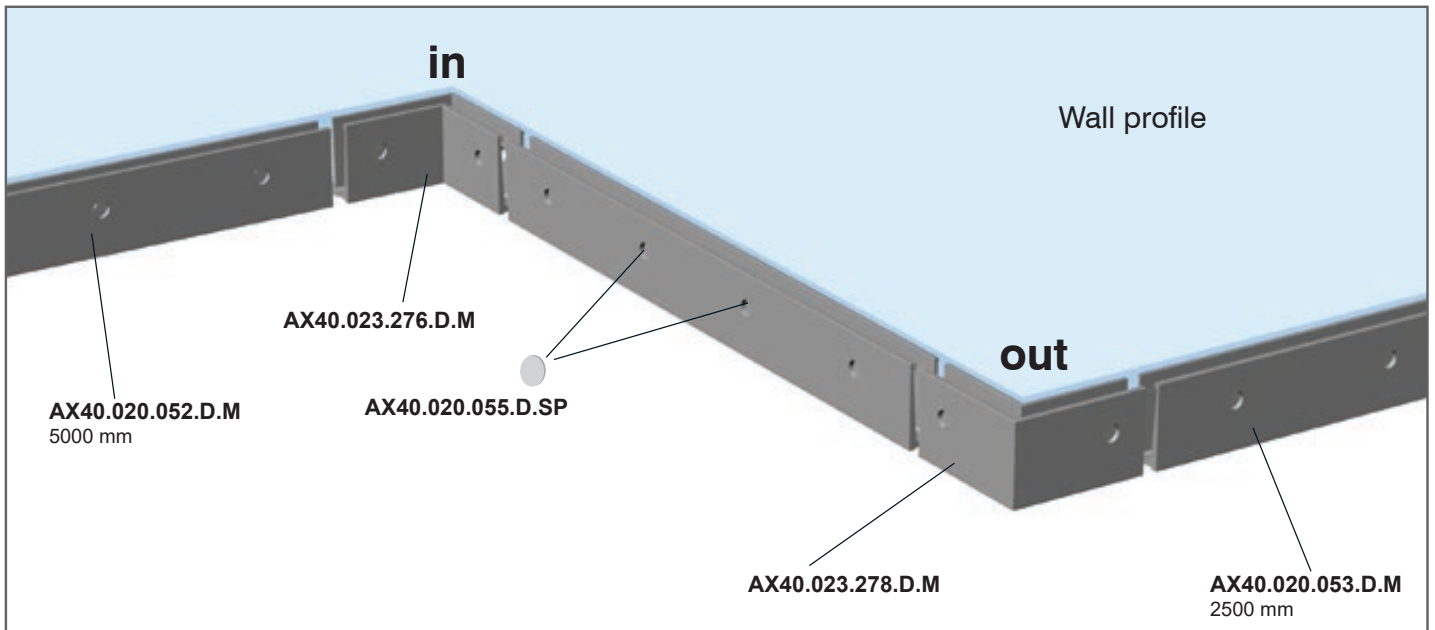
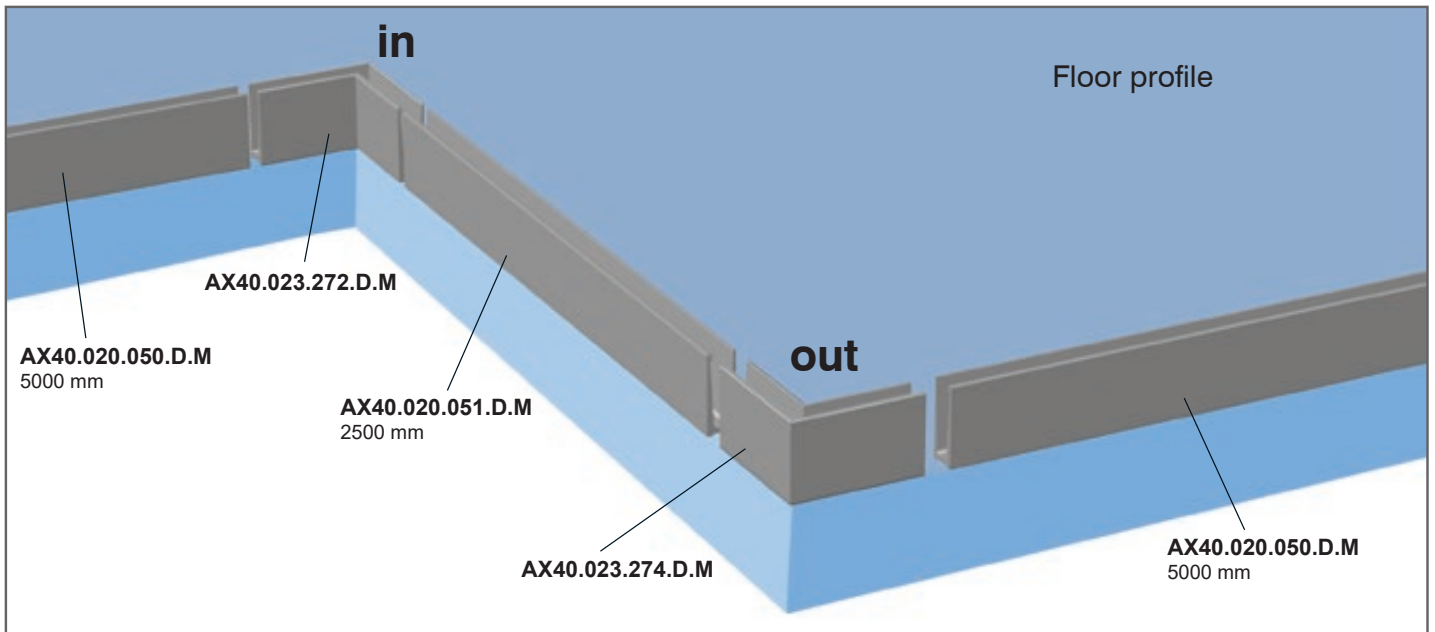
Preassembled 90 degree corner

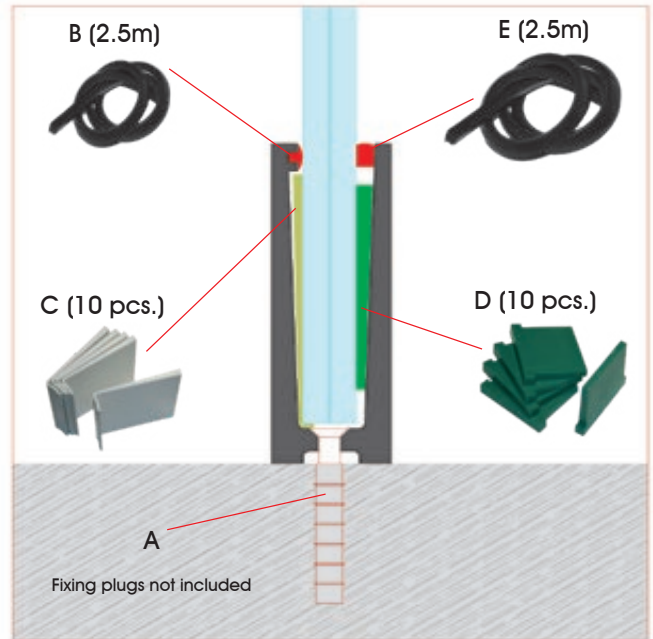
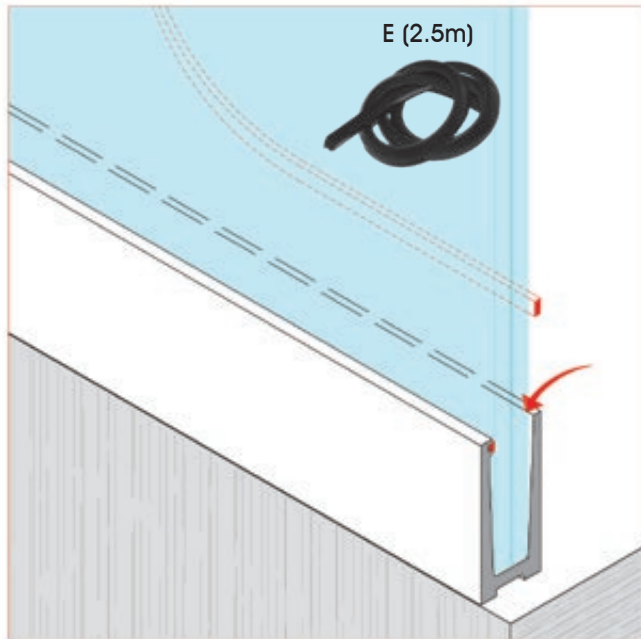
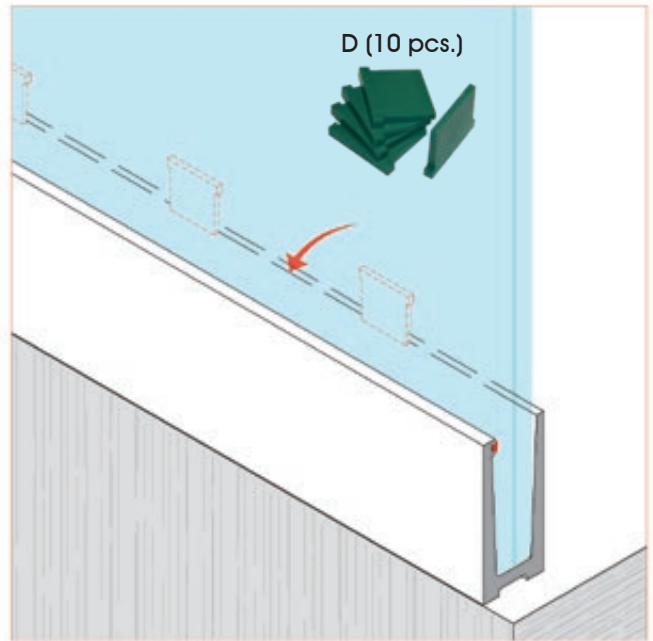
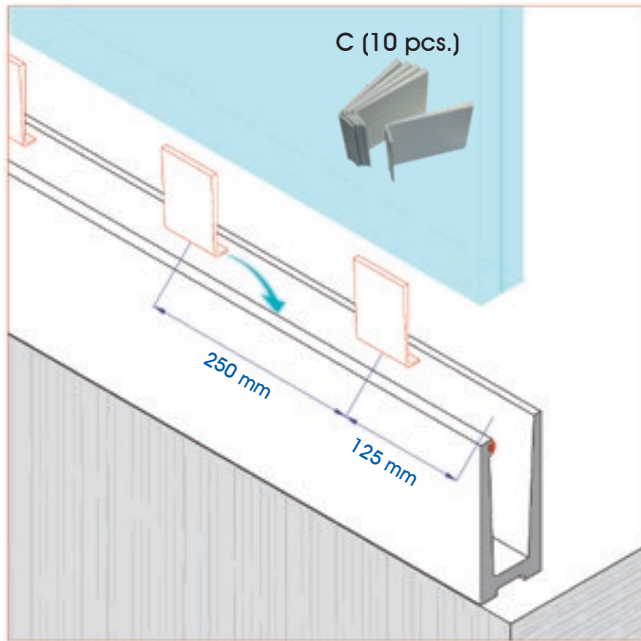
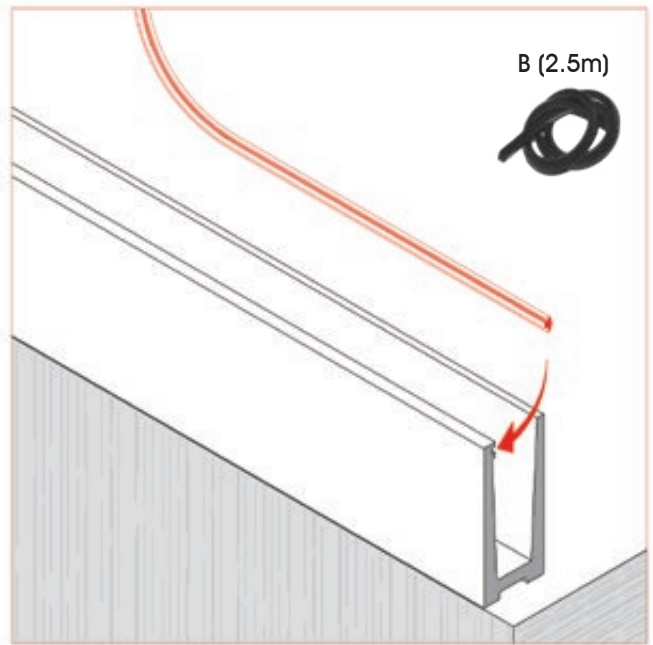
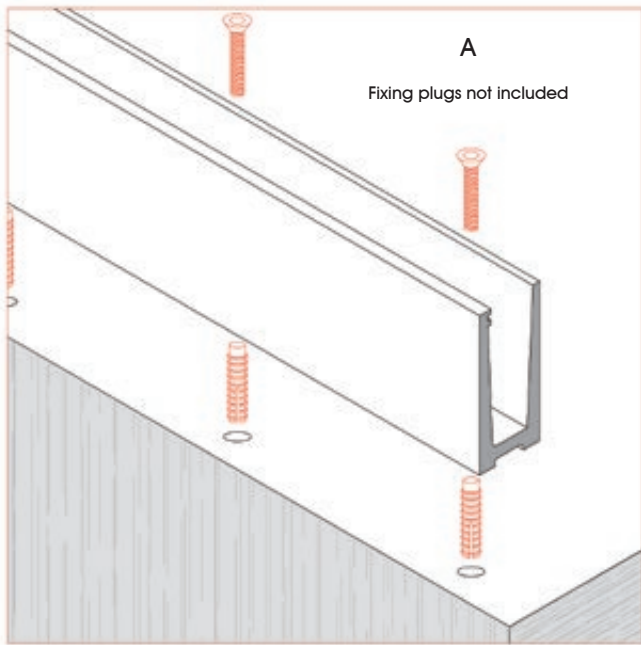
| COD. | dim. | L. |
|------|------|----|
|------|------|----|



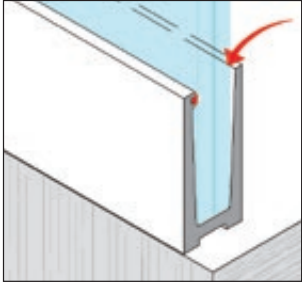






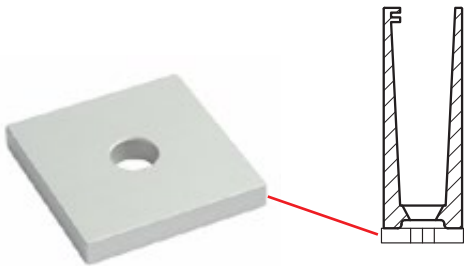
| | | |
|---------------------------------------|---------------------------------------|--------|
| AX40.023.276.D.M | 120 x 43 mm | 200 mm |
| Requires 2 anchors | | |
| Inside corner for wall profile | Weight: 1.79 kgs (3.95 lbs) | |

| COD. | dim. | L. |
|------|------|----|
|------|------|----|

| | | |
|--|---------------------------------------|--------|
| AX40.023.278.D.M | 120 x 43 mm | 200 mm |
| Requires 2 anchors | | |
| Outside corner for wall profile | Weight: 1.79 kgs (3.95 lbs) | |





| | | |
|--|---|---|
| <p>COD.</p> <p><u>AX40.020.281.D.SP</u></p> <p>End cap - Floor profile - Level/balcony</p> <p>Weight: .02 kgs (.044 lbs)</p> |   |  |
| <p>COD.</p> <p><u>AX40.020.283.D.SP</u></p> <p>End cap - Floor profile - Angle/rake</p> <p>up to 40 degrees</p> <p>Weight: .026 kgs (.057 lbs)</p> |   | |
| <p>COD.</p> <p><u>AX40.020.282.D.SP</u></p> <p>End cap - Wall profile - Level/balcony</p> <p>Weight: .021 kgs (.046 lbs)</p> |   | |
| <p>COD.</p> <p><u>AX40.020.284.D.SP</u></p> <p>End cap - Wall profile - Angle/rake</p> <p>up to 40 degrees</p> <p>Weight: .027 kgs (.059 lbs)</p> |   | |
| <p>COD.</p> <p><u>AX40.022.270.D.SP</u></p> <p>Drainage spacer</p> <p>Weight: .040 kgs (.087 lbs)</p> <p>For use on exterior balconies. Use one drainage spacer per hole. 25 per 5000mm(16'-4") U channel 13 per 2500mm(8'-2") U channel</p> |  | |

| COD. | Height | Base |
|--------------------------|--------|-------------|
| AX50.002.000.B.SP | 9.92" | 4.9" Square |

Requires 4 anchors

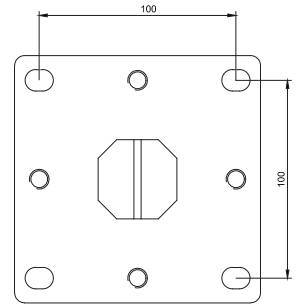
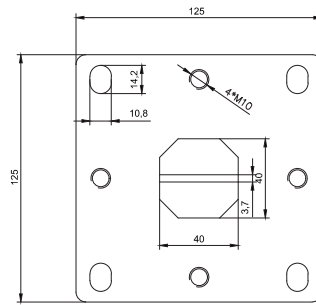
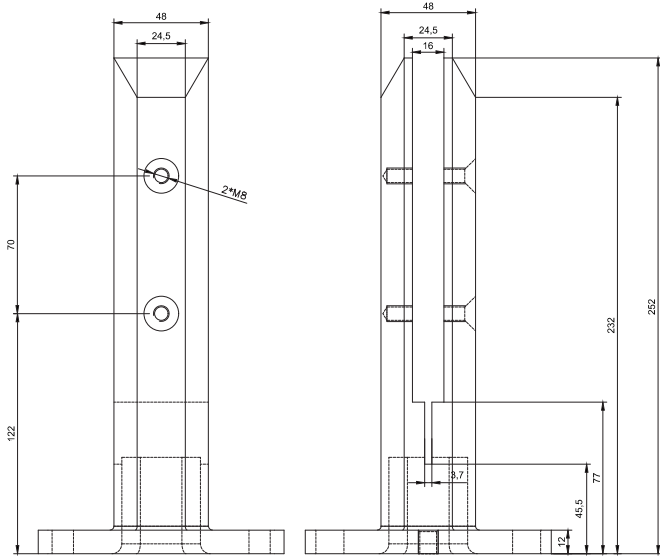
Large floor mount profile

Quick# 800X, 805X
Page 68



AISI 316

For use with 1/2" glass.



| COD. | Height | Base |
|--------------------------|--------|-------------|
| AX50.001.000.B.SP | 6.29" | 3.8" Square |

Requires 4 anchors

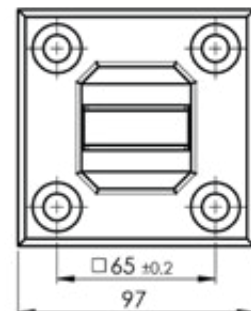
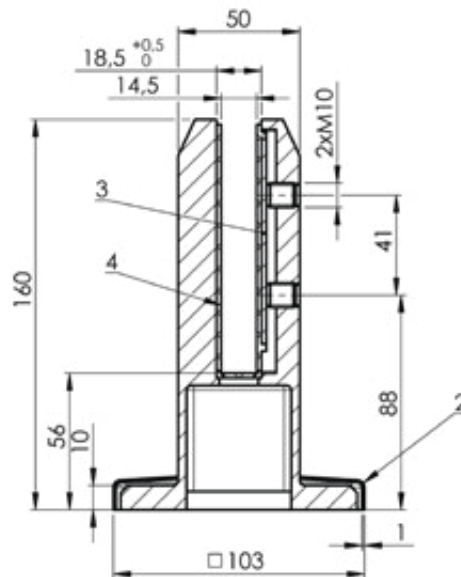
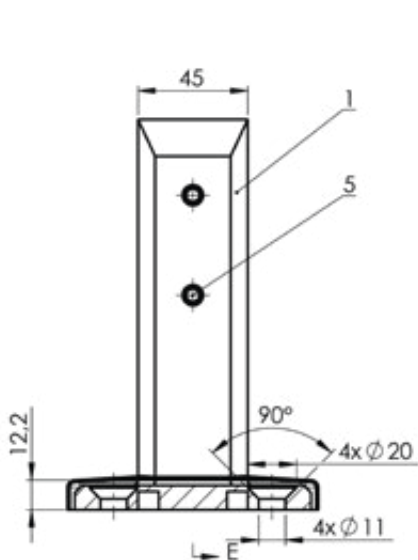
Small floor mount profile

Quick# 910X, 915X
Page 68

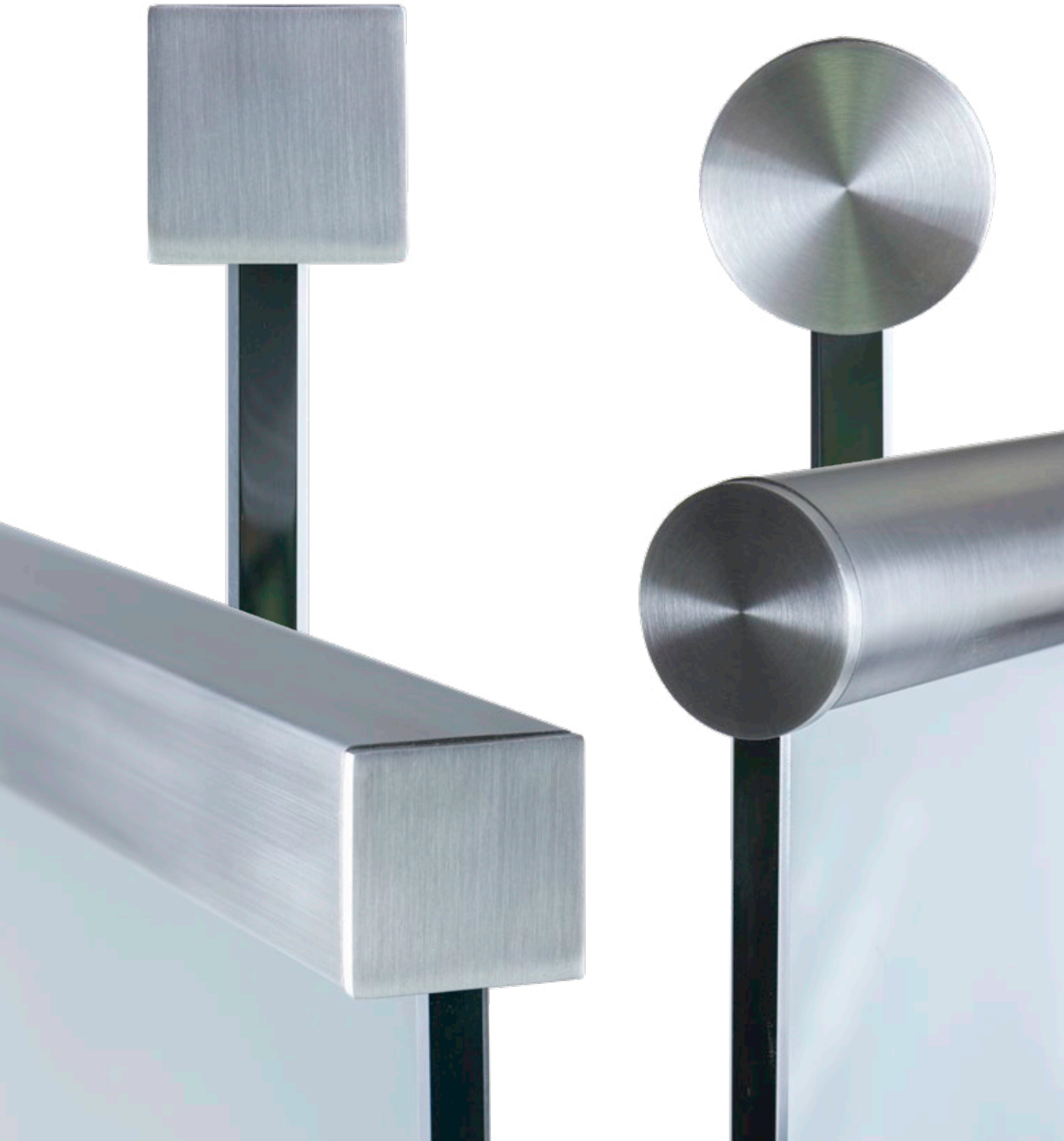


AISI 316

For use with 1/2" glass.







| COD. | Ø | T | X | L |
|--------------------------|---------------|---|------------|------------------|
| AX00.030.065.A.SP | 42.4 x 1.5 mm | | 24 x 24 mm | 5000 mm (16'-4") |

Rubber washer not included

Glass cap rail

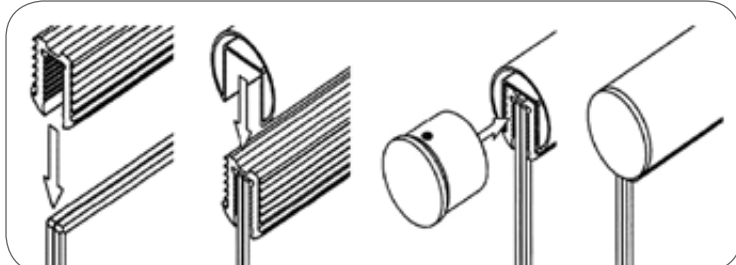

Weight:
10.2 kgs (22.4 lbs)

| | | | | |
|-----------------------|---------------|----------|------------|------------------|
| AX00.031.072.R | 42.4 x 1.5 mm | 13.52 mm | 24 x 24 mm | 5000 mm (16'-4") |
|-----------------------|---------------|----------|------------|------------------|

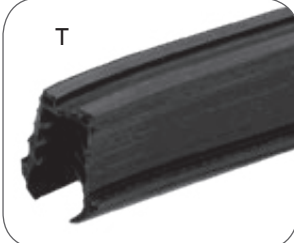

Rubber gasket

Weight:
2.34 kgs (5.15 lbs)

Apply clear silicone to glass before applying gasket, apply on top of gasket also before mounting cap rail.

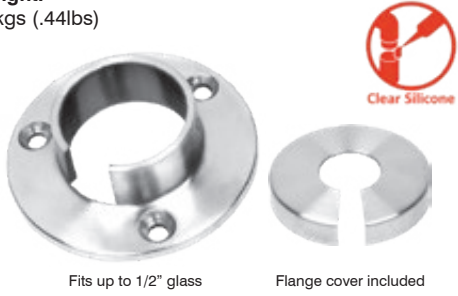
For use with 3/8"-1/2" glass

| COD. | Ø |
|--------------------------|---------------|
| AX00.032.175.A.SP | 42.4 x 1.5 mm |


Wall mount flange

Weight:
.2 kgs (.44lbs)



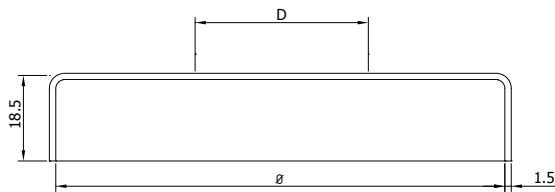
Fits up to 1/2" glass

Flange cover included



Quick# 820X
Page 68



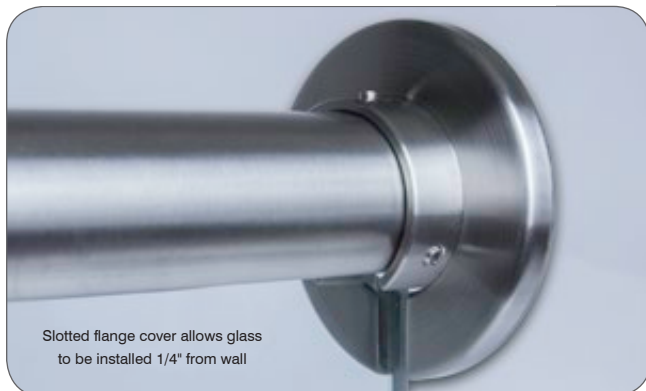
3 per location



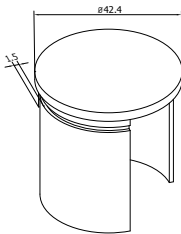


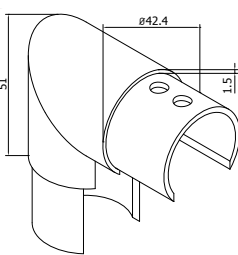


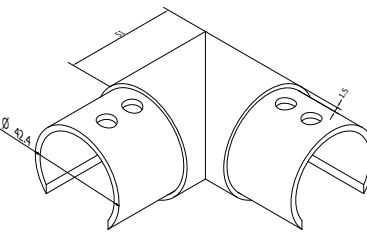


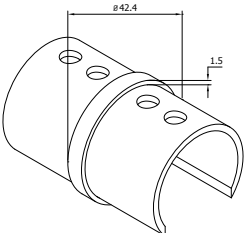


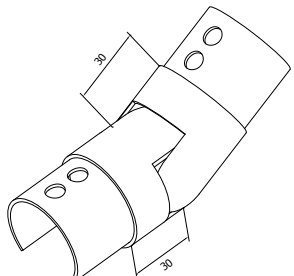


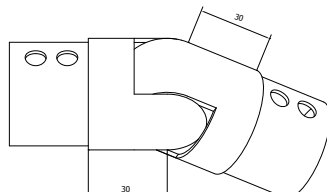


| COD. | Ø |
|--------------------------|---------------|
| AX00.003.176.A.SP | 42.4 x 1.5 mm |


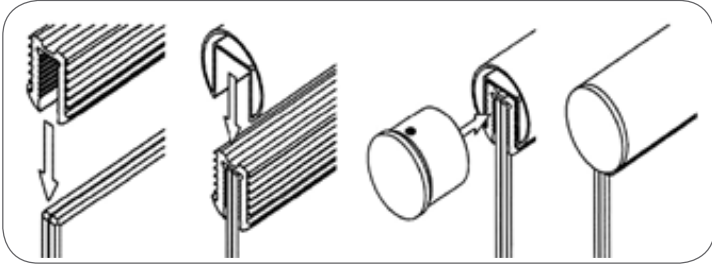
Replacement wall mount flange cover

Weight:
.1 kgs (.219 lbs)

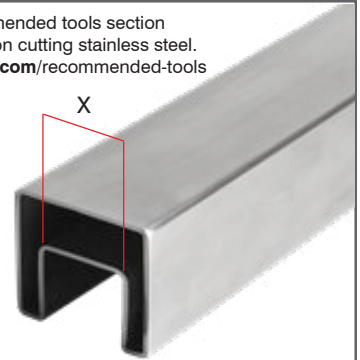




Slotted flange cover allows glass to be installed 1/4" from wall

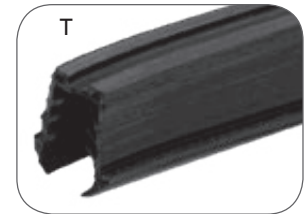
| | | | |
|--|---|---|---|
| <p>COD. \emptyset</p> <p>AX00.030.120.A.SP 42.4 x 1.5 mm</p> <p>Flat end cap</p> <p>Weight: .084 kgs (.184 lbs)</p> |  |  |  <p>Anaerobic Adhesive</p> |
| <p>COD. \emptyset</p> <p>AX00.032.171.A.SP 42.4 x 1.5 mm</p> <p>Vertical elbow</p> <p>Weight: .332 kgs (.73 lbs)</p> |  |  |  <p>Anaerobic Adhesive</p> |
| <p>COD. \emptyset</p> <p>AX00.032.170.A.SP 42.4 x 1.5 mm</p> <p>Horizontal elbow</p> <p>Weight: .297 kgs (.653 lbs)</p> |  |  |  <p>Anaerobic Adhesive</p> |
| <p>COD. \emptyset</p> <p>AX00.032.174.A.SP 42.4 x 1.5 mm</p> <p>Connector</p> <p>Weight: .104 kgs (.289 lbs)</p> |  |  |  <p>Anaerobic Adhesive</p> |
| <p>COD. \emptyset</p> <p>AX00.032.172.A.SP 42.4 x 1.5 mm</p> <p>Adjustable elbow - upward</p> <p>Weight: .3 kgs (.66 lbs)</p> |  |  |  <p>Anaerobic Adhesive</p> |
| <p>COD. \emptyset</p> <p>AX00.032.173.A.SP 42.4 x 1.5 mm</p> <p>Adjustable elbow - downward</p> <p>Weight: .321 kgs (.706 lbs)</p> |  |  |  <p>Anaerobic Adhesive</p> |

| COD. | Ø | T | X | L |
|--|---------------|----------|------------|------------------|
| AX00.030.071.A.SP | 42.4 x 1.5 mm | | 24 x 24 mm | 5000 mm (16'-4") |
| Rubber washer not included Square cap rail Weight: 12.4 kgs (27.28 lbs) | | | | |
| AX00.031.072.R | 42.4 x 1.5 mm | 13.52 mm | 24 x 24 mm | 5000 mm (16'-4") |
| Rubber washer Weight: 2.34 kgs (5.15 lbs) | | | | |
| Apply clear silicone to glass before applying gasket, apply on top of gasket also before mounting cap rail. | | | | |
|   | | | | |

See recommended tools section for information on cutting stainless steel.
www.axiarailing.com/recommended-tools

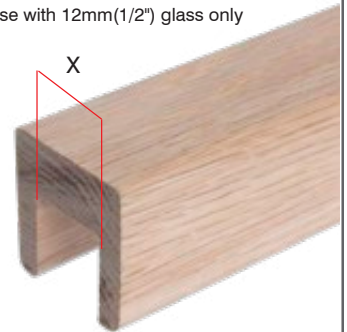


For use with 12mm(1/2") glass only



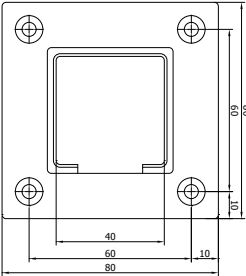



| COD. | Ø | T | X | L | Wt. |
|---|---------------|---|------------|-----|---------------------|
| AX00.030.073.G.RW | 1.57" x 1.57" | | 24 x 24 mm | 16' | 5.81 kgs (12.8 lbs) |
| AX00.030.077.G.RW | 1.57" x 1.57" | | 24 x 24 mm | 14' | 5.08 kgs (11.2 lbs) |
| AX00.030.076.G.RW | 1.57" x 1.57" | | 24 x 24 mm | 12' | 4.35 kgs (9.6 lbs) |
| AX00.030.075.G.RW | 1.57" x 1.57" | | 24 x 24 mm | 10' | 3.63 kgs (8 lbs) |
| AX00.030.074.G.RW | 1.57" x 1.57" | | 24 x 24 mm | 8' | 2.9 kgs (6.4 lbs) |
| Red Oak wood cap rail Rubber washer not included | | | | | |
| AX00.030.080.H.RW | 1.57" x 1.57" | | 24 x 24 mm | 16' | 5.81 kgs (12.8 lbs) |
| AX00.030.088.H.RW | 1.57" x 1.57" | | 24 x 24 mm | 14' | 5.08 kgs (11.2 lbs) |
| AX00.030.087.H.RW | 1.57" x 1.57" | | 24 x 24 mm | 12' | 4.35 kgs (9.6 lbs) |
| AX00.030.086.H.RW | 1.57" x 1.57" | | 24 x 24 mm | 10' | 3.63 kgs (8 lbs) |
| AX00.030.084.H.RW | 1.57" x 1.57" | | 24 x 24 mm | 8' | 2.9 kgs (6.4 lbs) |
| White Oak wood cap rail Rubber washer not included | | | | | |



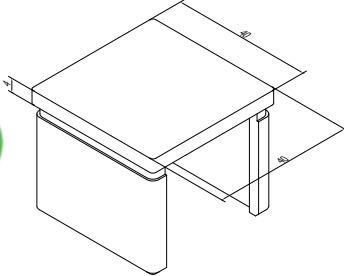
For use with 12mm(1/2") glass only



Special order item. Lead times apply

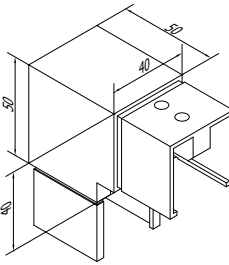


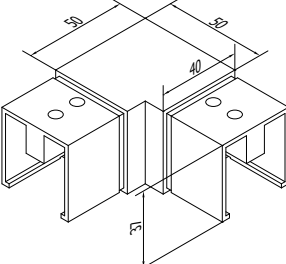


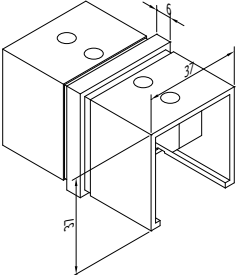


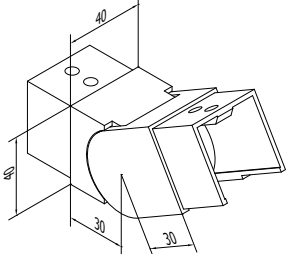


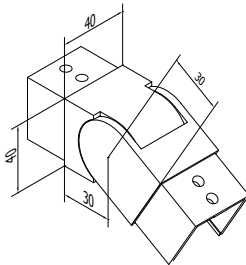


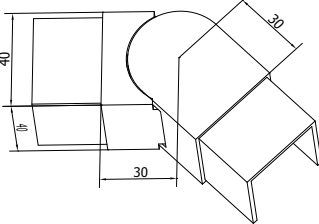


| COD. | Ø |
|--|---------------|
| AX00.032.324.A.SP | 42.4 x 1.5 mm |
| Wall mount flange | |
| Weight: .211 kgs (.464 lbs) | |
|     | |
| 2 per location | |
| Flange cover included | |

| COD. | Ø |
|---|---------------|
| AX00.003.325.A.SP | 42.4 x 1.5 mm |
| Replacement wall mount flange cover | |
| Weight: .105 kgs (.231 lbs) | |
|   | |










| COD. | Ø |
|---|---------------|
| AX00.032.322.A.SP | 42.4 x 1.5 mm |
| Flat end cap | |
| Weight: .114 kgs (.251 lbs) | |
|    | |



Slotted flange cover allows glass to be installed 1/4" from wall

| | | |
|---|--|---|
| <p>COD. Ø</p> <p>AX00.032.326.A.SP 42.4 x 1.5 mm</p> <p>Vertical elbow</p> <p>Weight: .428 kgs (.942 lbs)</p> |  |   |
| <p>COD. Ø</p> <p>AX00.032.305.A.SP 42.4 x 1.5 mm</p> <p>Horizontal elbow</p> <p>Weight: .367 kgs (.807 lbs)</p> |  |   |
| <p>COD. Ø</p> <p>AX00.032.320.A.SP 42.4 x 1.5 mm</p> <p>Connector</p> <p>Weight: .176 kgs (.387 lbs)</p> |  |   |
| <p>COD. Ø</p> <p>AX00.032.310.A.SP 42.4 x 1.5 mm</p> <p>Adjustable elbow - upward</p> <p>Weight: .411 kgs (.904 lbs)</p> |  |   |
| <p>COD. Ø</p> <p>AX00.032.311.A.SP 42.4 x 1.5 mm</p> <p>Adjustable elbow - downward</p> <p>Weight: .436 kgs (.962 lbs)</p> |  |   |
| <p>COD. Ø</p> <p>AX00.032.315.A.SP 42.4 x 1.5 mm</p> <p>Adjustable horizontal elbow</p> <p>Weight: .365 kgs (.803 lbs)</p> |  |   |

System Hardware

|  | Quick# | Part# | Description | Application - Quantity Required |
|--|--------|-------------------|-----------------------|---|
|  | 250X | AX00.091.250.A.SP | M5 x 12 mm | Attaches saddle to metal handrail - 2 per |
|  | 540X | AX00.091.540.A.SP | 4.8 x 25 mm | Attaches saddle to wood handrai - 2 per |
|  | 265X | AX00.091.265.A.SP | M6 x 10 mm | Attaches saddle to stem (Replacement) - 1 per |
|  | 260X | AX00.091.260.A.SP | M6 x 20 mm | Attaches bar holder to metal post - 1 per |
|  | 255X | AX00.091.255.A.SP | M8 x 25 mm | Attaches glass clamp to metal post - 1 per |
|  | 266X | AX00.091.266.A.SP | M5 Threaded Pop Rivet | Attaches glass clamp to metal post - 1 per |
|  | 267X | AX00.091.267.A.SP | M6 Threaded Pop Rivet | Attaches glass clamp to metal post - 1 per |
|  | 269X | AX00.091.269.A.SP | M8 Threaded Pop Rivet | Attaches glass clamp to metal post - 1 per |

Anchors

|  | Quick# | Part# | Description | Application - Quantity Required |
|--|--------|-------------------|--|--|
|  | 800X | AX00.091.800.A.SP | 3/8 x 3-1/2" Wood lag bolts | Round newel post mount - 3 per Square newel post mount - 2 per U Channel spigot clamps(large) - 4 per |
|  | 805X | AX00.091.805.A.SP | 3/8 x 3-3/4" Concrete wedge anchors | Round newel post mount - 3 per Square newel post mount - 2 per U Channel spigot clamps(large) - 4 per |
|  | 820X | AX00.091.820.A.SP | #10 x 3" Wood screw to attach to wall | Round wall mount flange - 3 per Square cap rail wall mount flange - 4 per Round cap rail wall mount flange - 4 per |
|  | 830X | AX00.091.830.A.SP | #14 x 3" Wood screw to attach to wall | Round adjustable angle wall rail fitting - 3 per Square adjustable angle wall rail fitting - 4 per Square wall mount flange - 4 per Round wall Rail return - 3 per Round side mount post bracket - 2 per Square side mount post bracket - 2 per |
|  | 855X | AX00.091.855.A.SP | #12 x 3" Flat head wood screw | Round wall Rail Bracket - 3 per Square wall Rail Bracket - 2 per |
|  | 880X | AX00.091.880.A.SP | 1/2 x 2-1/2" Flat head drop in anchor | U Channel 90 degree corners - 2 per |
|  | 885X | AX00.091.885.A.SP | #14 x 3" Wood screw to attach to wall/floor (includes 3/8" washer) | U Channel floor / wall mount (2500mm) U Channel floor / wall mount (5000mm) |
|  | 900X | AX00.091.900.A.SP | M6 x 80 mm Wood screw with flat head(phillips) | Standoffs / side mount post brackets - 2 per |
|  | 905X | AX00.091.905.A.SP | M6 x 85 mm Machine screw with socket head | Standoffs / side mount post brackets - 2 per |
|  | 910X | AX00.091.910.A.SP | 3/8 x 3" Flat head concrete anchor | U Channel spigot clamps(small) - 4 per |
|  | 915X | AX00.091.915.A.SP | 3/8 x 3" Flat head wood lag screw | U Channel spigot clamps(small) - 4 per |

COD.

AX00.100.563



PERMABOND MH052 is ideal for the sealing of threaded joints. It is approved for use with gas for working pressure up to 26 bar and also for gaseous oxygen up to 10 bar and 60°C. MH052 seals against gas, water, LPG, hydrocarbons, oils and other chemicals. Unlike PTFE tape or hemp, Permabond MH052 will not shred or dry out, so it will provide a durable seal, helping to extend the life of the components. 75 ml

Thread Lock

Weight: .18 kgs (.4 lbs)



COD.

AX00.100.525



PERMABOND HM162 is a medium viscosity retaining compound that cures when confined between metal parts to form an extremely tough bond. It is best suited for cylindrical parts and where high temperature resistance is required. In the uncured, liquid state, the adhesive wets the metal surfaces, keying into all surface irregularities and fills the space between the mated parts. 50 ml

Anaerobic Adhesive

Weight: .136 kgs (.3 lbs)

COD.

EPC-410



Epoxy Adhesive, Rapid Cure, High Strength Paste, Translucent, 50mL, Cartridge, Mixing Ratio 1:1, Application Time 7 min., Functional Cure 4 Hrs, Full Cure 4 hr., Work Life 15 min., Substrates Metal, Wood, Brick, Stone, Marble, Rubber, Some Plastics, And More, Repairing and Bonding For Home, Farm, Office and Marine Automotive, Includes 2 Nozzles, Package Quantity 1

Two part epoxy

Weight: .114 kgs (.25 lbs)



COD.

EPC-101



Simultaneously mix and dispense 2-part adhesives. Holds 50 ml cartridges.

Epoxy gun

Weight: .179 kgs (.394 lbs)

COD.

S-2611



Titebond® 100% Silicone Sealant is a versatile formula that is ideal for both interior and exterior applications. It is a RTV industrial sealant and offers excellent adhesion to many common construction materials, including vinyl, aluminum, glass and painted surfaces. It also provides a strong, flexible seal that offers excellent water-resistance.

When fully cured, Titebond 100% Silicone Sealant can withstand extreme temperature conditions. The 100% antimicrobial formula will not crack or become brittle with age and resists fading or yellowing. It also extrudes easily in lower temperatures and dries quickly.

Clear Silicone Sealant

Weight: .365 kgs (.803 lbs)



COD.

AX00.080.505



- Superior alternative to steel wool, wire brushes, sandpaper, and other non-woven products for cleaning or finishing tasks.
 - Very fine grade aluminum oxide abrasive cleans, finishes, grains, denibs, and defuzzes.
 - Pad resists tearing, splintering, shredding, loading and will never rust, providing a long, useful life.
 - Can be folded, stacked, or rolled for effective cleaning or conditioning on flat, irregular, or contoured surfaces.
- Package of 2

Scotch Brite Pads

Weight: .116 kgs (.256 lbs)

COD.

AX00.080.515

Our strongest cleaner, ideal for removing hard to clean substances from all stainless steel products. Used most commonly after installation and prior to applying polish and passivator.

Degreaser

Weight: 108 kgs (.238 lbs)



COD.

AX00.080.510

Ideal for normal cleaning and maintenance of all stainless steel products. Use prior to applying passivator.

Cleaner/Polish

Weight: 108 kgs (.238 lbs)

COD.


AX00.080.517


Essential for maximum corrosion resistance of all stainless steel products. Use after applying degreaser and polish.


Polish/Passivator

Weight: 108 kgs (.238 lbs)



| | | | | |
|------|--|--|------|--|
| COD. | <p>AX00.070.635 102 Metal Post Drill Kit Includes: 5/32" Metal drill bit 9/32" Metal drill bit 29/64" Metal drill bit 7/16" Open end wrench 1/8" Allen wrench Weight: .091 kgs (.2 lbs)</p> |  | COD. | <p>AX00.070.630 102 Wood Post Drill Kit Includes: 5/32" Wood drill bit 9/32" Wood drill bit 29/64" Wood drill bit 7/16" Open end wrench 1/8" Allen wrench Weight: .091 kgs (.2 lbs)</p> |
|------|--|--|------|--|

| | | | | |
|------|---|---|------|---|
| COD. | <p>AX00.070.650 Metal Post Drill Kit Includes: 5/16" Tap (24 thread) 5/16" Metal drill bit(Letter I) 5/32" Metal drill bit 3/8" Open end wrench 3/16" Allen wrench Weight: .091 kgs (.2 lbs)</p> |  | COD. | <p>AX00.070.625 Wood Post Drill Kit Includes: 5/32" Wood drill bit 7/32" Wood drill bit 3/8" Open end wrench 3/16" Allen wrench Weight: .091 kgs (.2 lbs)</p> |
|------|---|---|------|---|

| | | | | |
|------|--|---|------|---|
| COD. | <p>AX00.070.610 Bulk Cable & Fittings Drill Bit Includes: 5/16" Kobalt drill bit 10 mm Open end wrench 8 mm Allen wrench Weight: .023 kgs (.05 lbs)</p> |  | COD. | <p>AX00.070.605 M5mm drill & tap set (handrail) AX00.070.606 M6mm drill & tap set (bar holders) AX00.070.608 M8mm drill & tap set (glass clamps)</p> <p style="text-align: center; color: #92d050;">Drill & tap set</p> <p>Weight: .045 kgs (.1 lbs)</p> |
|------|--|---|------|---|

| | | | | | |
|------|--|---|---|------|---|
| COD. | <p>AX00.070.651 1/2" punch for precision drilling. Center punch Weight: .068 kgs (.15 lbs)</p> |  |  | COD. | <p>S-9403 Sure tite fastener for wood newel posts. Sure Tite Newel Fastener Weight: .249 kgs (.55 lbs)</p> <p>S-9401 Key lock fastener for wood newel posts. Key Lock Newel Fastener Weight: .301 kgs (.66 lbs)</p> |
|------|--|---|---|------|---|

| | | | | | |
|------|--|---|---|------|---|
| COD. | <p>AX00.070.652 Tap Magic Pro Tap 16 oz spout top. Cutting fluid Weight: .454 kgs (1 lbs)</p> |  |  | COD. | <p>AX00.110.710 Composite shims for proper post leveling/mounting. Shims (12 pack) Weight: .331 kgs (.73 lbs)</p> |
|------|--|---|---|------|---|

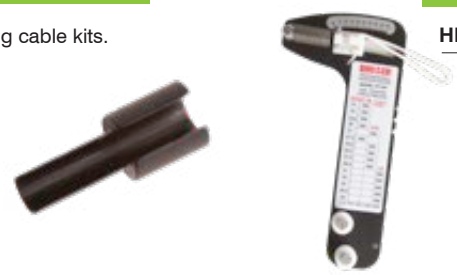
| | |
|--|---|
| <p>COD.</p> <p><u>HFC18.CUTTER</u> Ideal for cutting our stainless steel cable or any cable up to 1/8" thickness</p> <p>Cable cutter - small</p> <p>Weight: .344 kgs (.74 lbs)</p> | <p>COD.</p> <p><u>HFC18.C9CUTTER</u> Ideal for cutting our stainless steel cable or any cable up to 1/4" thickness.</p> <p>Cable cutter - large</p> <p>Weight: .86 kgs (1.89 lbs)</p> |
|--|---|



| | |
|---|---|
| <p>COD.</p> <p><u>HFC18.PLIERS</u> Cable gripping pliers for proper tensioning.</p> <p>Cable gripping pliers</p> <p>Weight: .748 kgs (1.65 lbs)</p> | <p>COD.</p> <p><u>HFC18.WHEEL</u> Used to cut cable flush with the end of Pull-Lock fittings, and to cut excess threads of stud. Includes mandrel and two cut-off wheels.</p> <p>Cable cut-off wheel</p> <p>Weight: .085 kgs (.187 lbs)</p> |
|---|---|



| | |
|---|---|
| <p>COD.</p> <p><u>HFC18.KEY</u> Release key for all push lock fitting cable kits.</p> <p>Cable Release Key</p> <p>Weight: .005 kgs (.01lbs)</p> | <p>COD.</p> <p><u>HFC18.TENSION.GAUGE</u> Accurately measure tension on cable railing.</p> <p>Tension Gauge</p> <p>Weight: .241 kgs (.53 lbs)</p> |
|---|---|



COD.

DRIVER PL-LAG/R Push lock lag driver for use with **WLN1/8-1** swageless cable fitting.

Push lock lag driver

Weight:
.026 kgs (.059 lbs)



COD.

HFC18.TUBE Insert tube for use with 1/8" cable and wood posts.

Insert Tube

Weight:
.005 kgs (.01 lbs)





COD.

AX10.070.212

Accurately bend 12 mm round infill tubing for curved applications.

Infill tube bender

Weight:
.301 kgs (6.35 lbs)

COD.

AX00.060.400

Our two stage hydraulic swaging compression tool allows for up to 16 tons of pressure to be applied to cable fittings. Full die set included for 3, 4, 5, 6 mm .

Hydraulic Crimper

Weight:
4.2 kgs (9.25 lbs)



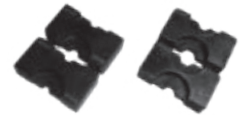
COD.

AX00.060.415
AX00.060.420

Die set for 3-4mm
Die set for 5-6mm

Die set

Weight:
.045 kgs (.1 lbs)



COD.

AX00.070.520

Threaded pop rivet installation gun. Interchangeable mandrel/nosepieces for blind rivet nuts sizes: M3,M4,M5,M6,M8

Pop rivet gun

Weight:
2.52 kgs (5.55 lbs)



COD.

AX30.070.530

Spanner wrench for tightening round standoffs.

Spanner wrench - round

Weight:
.187 kgs (.412 lbs)



COD.

AX30.070.531

Spanner wrench for tightening square standoffs.

Spanner wrench - square

Weight:
.295 kgs (.65 lbs)



COD.

AX40.070.562

This multi-function tool allows you to precisely hammer wedges into place and roll the rubber strip into place on U channel.

Wedge tool

Weight:
.68 kgs (1.5 lbs)



See our recommended tools section for information on cutting stainless steel. This section includes a complete range of tools that we highly recommend for professional installation.

houseofforgings.net/axia-install-guides



© 2019 AXIA STAIR & RAILING SYSTEMS
All images are copyrighted and cannot be reproduced without expressed
written consent. Unauthorized use is prohibited and punishable by law.

www.axiarailing.com

Full Product Line Catalog Edition 001-B

